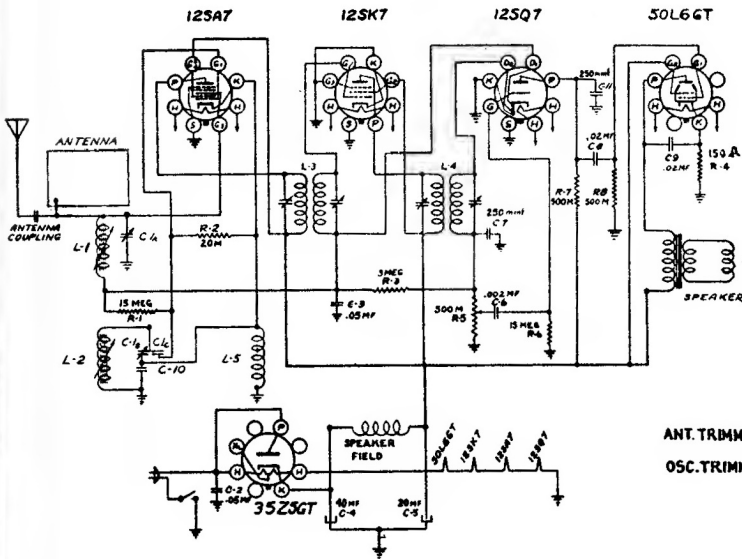


DETROLA MODEL 441

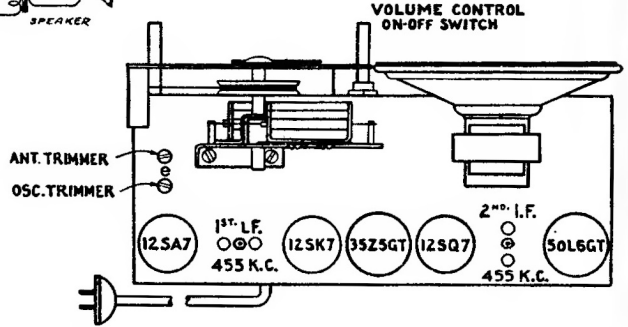


A signal generator which will provide an accurately calibrated signal at the frequencies listed.

An output meter.

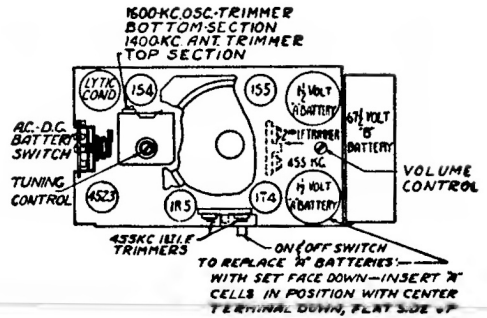
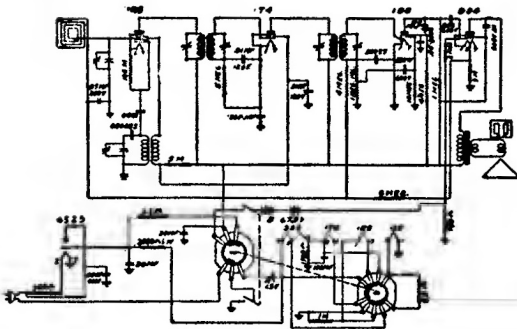
A non-metallic screw driver.

Dummy antennae—.1 mfd., 200 mmf.

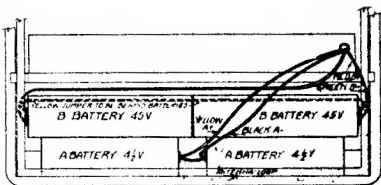


GENERATOR	CONNECTION AT RADIO	DUMMY ANTENNA	DIAL	TRIMMER TO TUNE	REMARKS
I.F. 455 kc.	12SA7 Grid	.1 mfd.	H. F. end	I.F. Transformers	Tune to Max.
1720 kc	Ext. Ant. Wire	200 mmf.	H. F. end	Oscillator Trimmer	Set Limit of band
1400 kc	Ext. Ant. Wire	200 mmf.	1400	Antenna Trimmer	Tune to Max.

MODEL 3782 AC-DC AND BATTERY PERSONAL RADIO



MODELS 389 SERIES



Detrola Radio
I.F. 455 KC.

