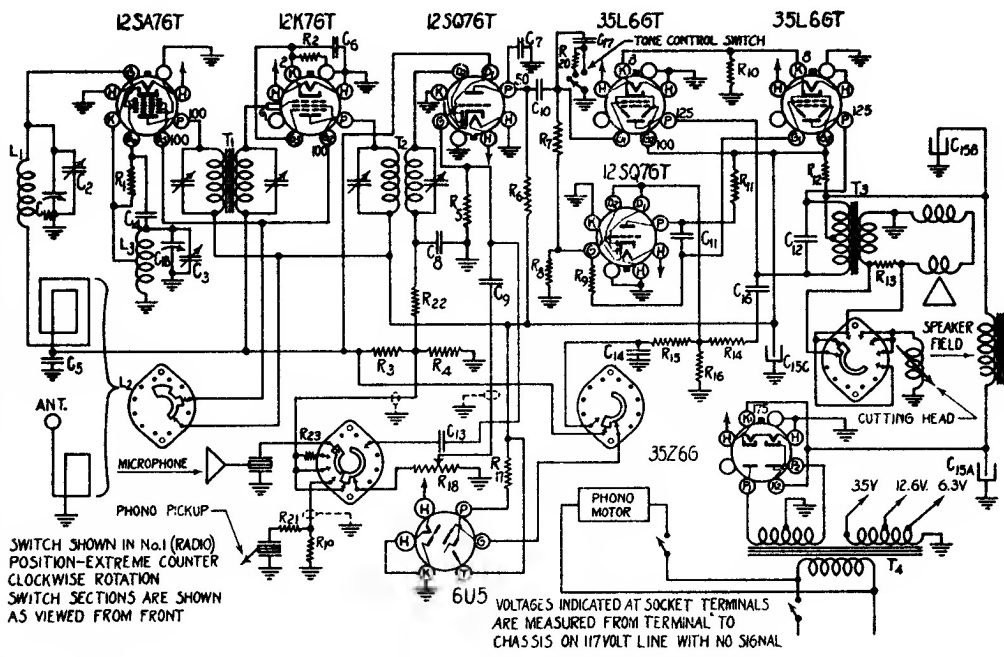


# DETROLA CORPORATION

## MODEL 390



Schematic Location	Part Number	Description	Schematic Location	Part Number	Description
<b>CHASSIS PARTS</b>					
	4417	Button, Snap (Dial Mounting)	R3,4,14,16		Resistor, 1 Meg. 1/3 Watt
	8931	Cable, Tuning Tube	R5		Resistor, 10 Meg. 1/3 Watt
	2163	Cable, drive	R6,7,8,9,11		Resistor, 200M. 1/3 Watt
	3227	Cap, Grid	R10		Resistor, 120 Ohm, 1/2 Watt
R18	8910	Control, Volume and Switch	R12		Resistor, 1000 Ohm, 1 Watt
	1732	Cord, Line	R13		Resistor, 35 Ohm, 1/2 Watt
	6424	Clamp, Linecord	R15		Resistor, 2 Meg. 1/3 Watt
	4314	Clamp, Tapped—For Tuning Tube	R17		Resistor, 1 Meg (in Tuning Tube Socket)
	4315	Clamp, Plain—For Tuning Tube	R19,20,21,22		Resistor, 50M, 1/3 Watt
L3	8422	Coil, Oscillator	R23		Resistor, 4 Meg. 1/3 Watt
L1	8423	Coil, Tracking			
C1a,b	B911	Condenser, Variable (with Pulley)			
C2,3	8504	Condenser, Dual Trimmer			
C15a,b,c	8425	Condenser, Electrolytic (20-250)—(20-150)—(20-150)			
C4		Condenser, 100 Mmf. Mica			
C5,14		Condenser, 1 Mfd. 200 v.			
C6		Condenser, .05 Mfd. 200 v.			
C7		Condenser, 250 Mmf. Mica			
CB		Condenser, 100 Mmf. Mica			
C9		Condenser, .002 Mfd. 600 v.			
C10,16		Condenser, .01 Mfd. 400 v.			
C11		Condenser, .05 Mfd. 400 v.			
C12,13		Condenser, .001 Mfd. 600 v.			
C17		Condenser, .005 Mfd. 600 v.			
	7209	Grommet, Tuner Assembly Mtg.			
	9121	Dial Chart			
	8941	Microphone Socket Assembly			
	6244	Pulley, Idler			
	5026	Pointer			
	6158	Pilot Lite			
	1207	Retainer, "C" Washer (Holds Tuning Shaft)			
R1		Resistor, 20M, 1/3 Watt			
R2		Resistor, 200 Ohm, 1/3 Watt			

### RECORDING ARM ADJUSTMENTS

