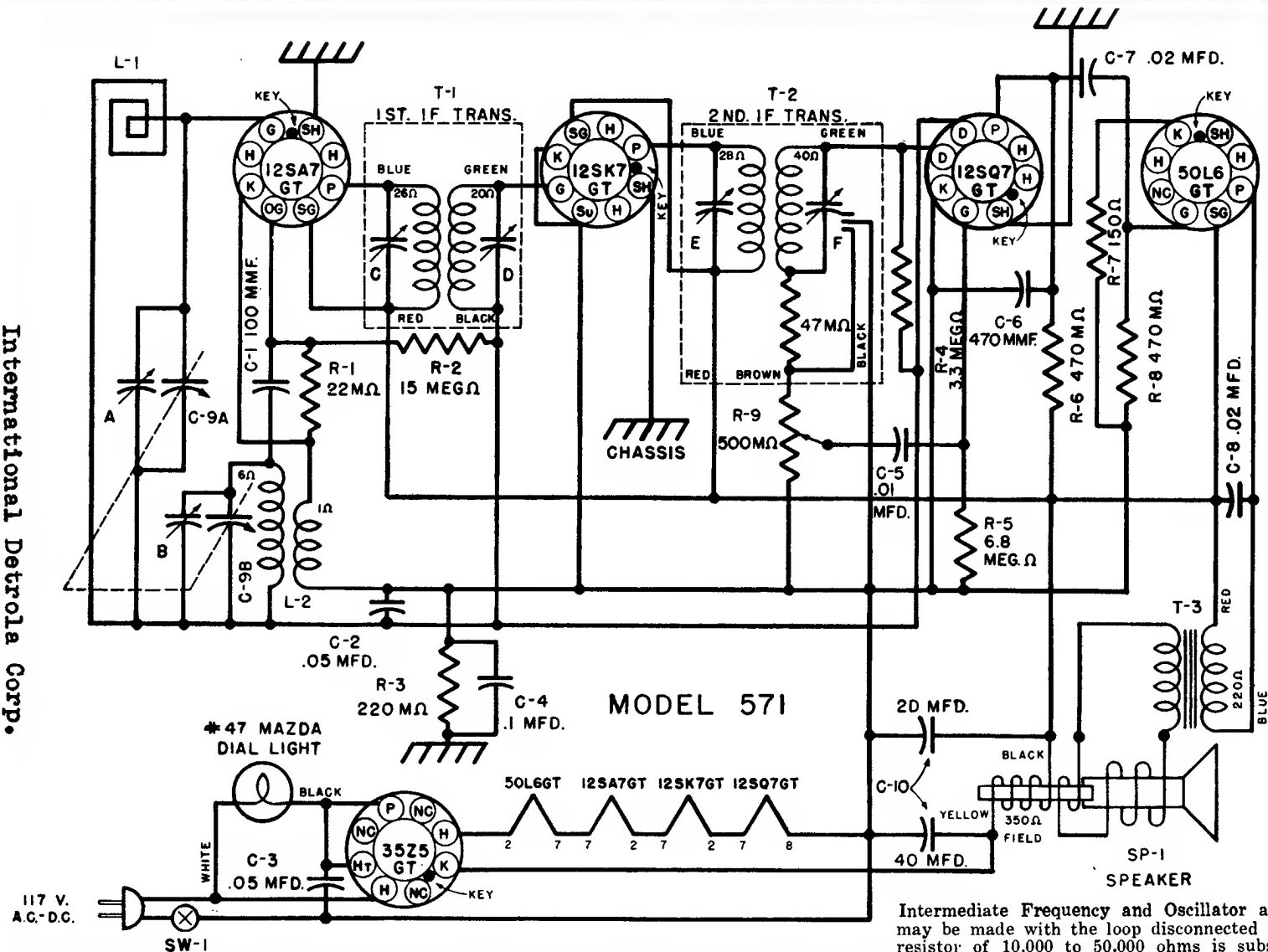


International Detrola Corp.



MODEL 571

455 KC I F

ALL TUBE SOCKETS SHOWN FROM PIN END VIEW.

(RMA PRODUCTION SOURCE CODE No. 2135)

Chassis Models 571A and 571B

Intermediate Frequency and Oscillator adjustments may be made with the loop disconnected provided a resistor of 10,000 to 50,000 ohms is substituted to close the 12SA7GT grid circuit. The loop alignment must be done with the loop and chassis mounted in operating position in the cabinet. A single turn loosely coupled to loop may be substituted for RMA loop.

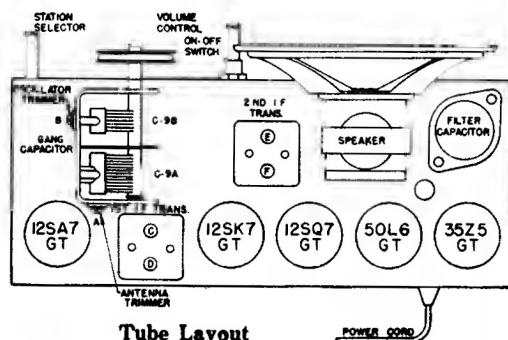
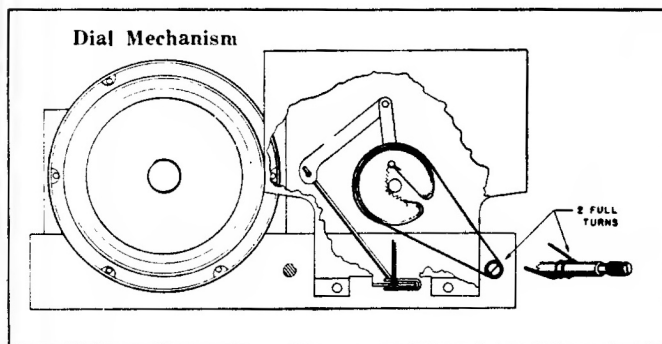
ALIGNMENT PROCEDURE Chassis Models 571A and 571B International Detrola

GENERATOR	CONNECTION AT RADIO	DUMMY ANTENNA	DIAL	TO TUNE TRIMMERS	REMARKS
IF 455 kc.	12SA7GT grid	.1 mfd.	HF end	IF trimmers C D E F	Tune to max.
1620 kc.	Through loop	RMA loop	HF end	Osc. trimmer B	Set limit of band
1400 kc.	Through loop	RMA loop	1400 kc.	Ant. trimmer A	Tune to max.

SOCKET VOLTAGES

TUBE	POSITION	1	2	3	4	5	6	7	8
12SA7GT	Osc. and Mixer	0	37.5 AC	99	99	-4.2	0	24.5 AC	0
12SK7GT	IF Amplifier	0	24.5 AC	0	0	0	99	12.5 AC	99
12SQ7GT	2nd Det.—1st Audio	0	0	0	0	0	16	12.5 AC	0
50L6GT	Power Output	0	85 AC	91.5	99	0	0	37.5 AC	5.9
35Z5GT	Rectifier	0	117 AC	112 AC	0	112 AC	0	85 AC	112

NOTE: All DC voltages measured with a 1000 ohm per volt meter from ON-OFF switch (—B) to socket contact indicated. All AC voltages are measured from ON-OFF switch (—B) to socket contact indicated.



SERVICE PARTS LIST

Symbol	Part No.	Description
C-1	BM78A101	Cap., Mica, 100 mmf.
C-2	BD210503	Cap., Paper, .05 mfd., 200 v.
C-3	BC31B503	Cap., Mold., Paper, .05 mfd.
C-4	BD410104	Cap., Paper, .1 mfd., 400 v.
C-5	BD410103	Cap., Paper, .01 mfd., 400 v.
C-6	BM78A471	Cap., Mica, 470 mmf.
C-7, 8	BD410203	Cap., Paper, .02 mfd., 400 v.
C-9	C-51155-1	Cap., Variable, 2 Section
C-10	A-8948	Cap., Electro., 40-20 mfd., 150 v.
L-1	B-51243	Loop, Antenna
L-2	B-51159	Coil, Osc. Assembly
R-1	BR17B223	Resistor, 22M ohm 1/3 w.
R-2	BR17B156	Resistor, 15 meg. 1/3 w.
R-3	BR17B224	Resistor, 220M ohm 1/3 w.
R-4	BR17B335	Resistor, 3.3 meg. 1/3 w.
R-5	BR17B685	Resistor, 6.8 meg. 1/3 w.
R-6, 8	BR17B474	Resistor, 470M ohm 1/3 w.
R-7	BR16C151	Resistor, 150 ohm. 1/2 w.
R-9	B-9051-1	Control, Vol. & Sw. 500M ohm.
T-1	B-51010	Trans., Assembly, 1st IF

Symbol	Part No.	Description
T-2	B-51011	Trans., Assembly, 2nd IF
SP-1	C-51014	Speaker, 5" Dynamic, 350 ohm.
	A-2163	Cable, Drive
	A-6158	Lamp, Pilot No. 47 Mazda 6.3 v.
	A-51160-1	Cord, AC-DC Line, 6 ft.
	B-51162-1	Shaft, Drive
	A-51163	Clip, Spring
	B-51177	Bracket Assembly, Dial
	A-51202	Link, Insulating
	B-51204-1	Pointer
	A-51206	Arm, Dial Drive
	A-51237-1	Paper Back, Dial
	D-51240-1	Cabinet (571-1)
	A-51241-2	Knob
	C-51242-1	Dial, Glass Indicator

