

International Detrola Corp.

AUTOMATIC RECORD CHANGER AND AMPLIFIER MODELS 626A and 626B

(RMA PRODUCTION SOURCE CODE No. 213)

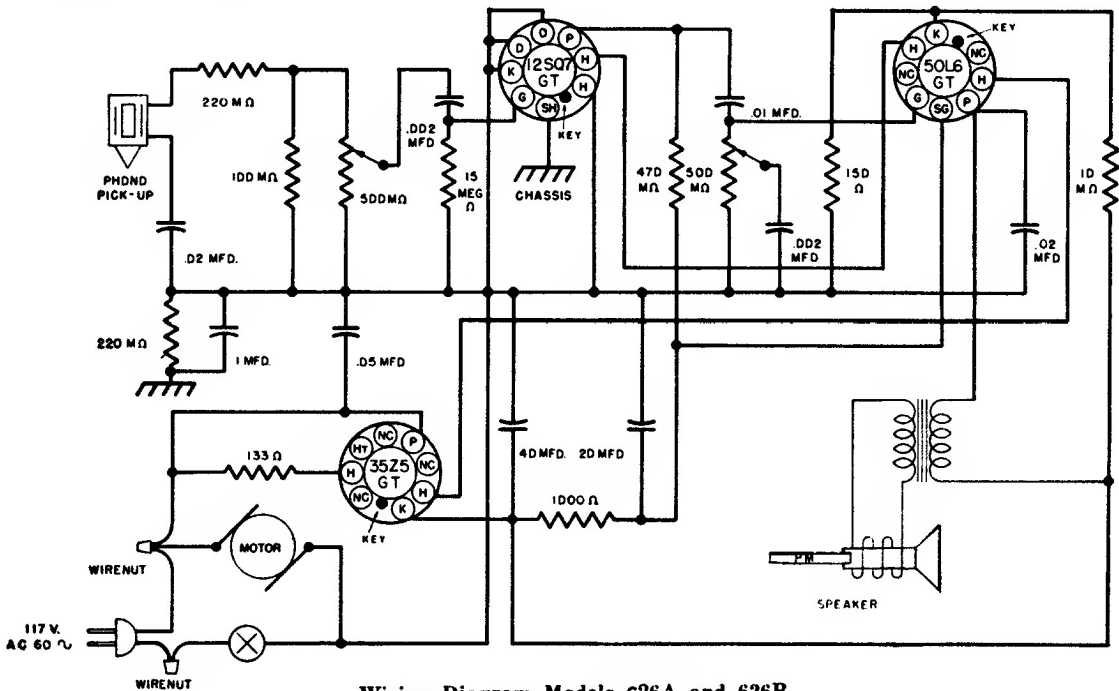
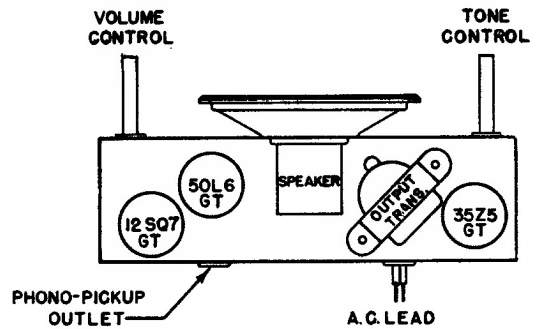
SOCKET VOLTAGES

TUBE	POSITION	1	2	3	4	5	6	7	8
12SQ7GT	AF Amplifier	0	0	0	0	0	40	12 AC	0
50L6GT	Power Output	0	54 AC	118	125	0	0	12 AC	9.0
35Z5GT	Rectifier	0	85 AC	0	0	117 AC	125	54 AC	127

NOTE: All DC voltages measured with a 1000 ohm-per-volt meter from B- to socket contact indicated. All voltages are positive DC unless otherwise marked. Volume control full on. Zero input. Tone control in clockwise position. Line voltage 117 volts AC.

TUBE COMPLEMENT

- 1—12SQ7GT AF Amplifier tube
- 1—50L6GT Power Output tube
- 1—35Z5GT Rectifier tube



Wiring Diagram Models 626A and 626B