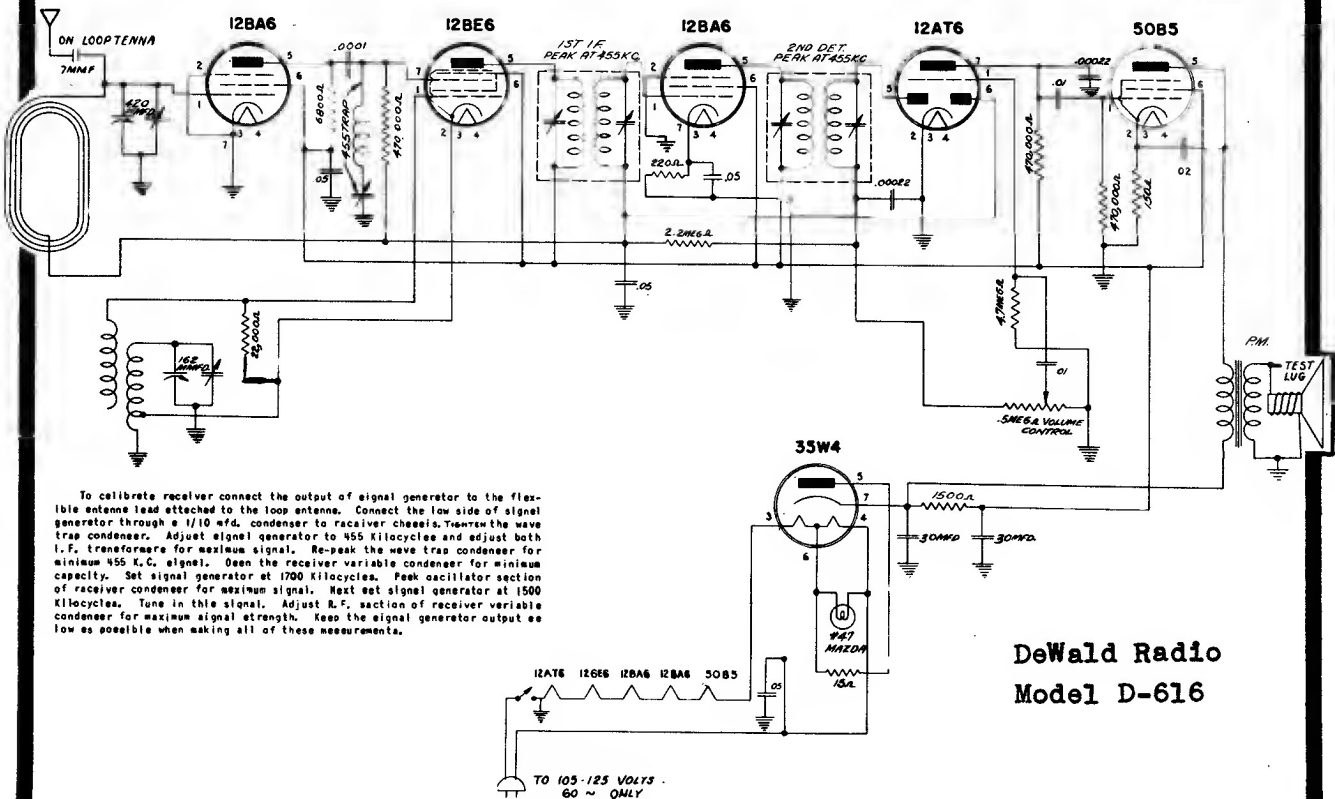
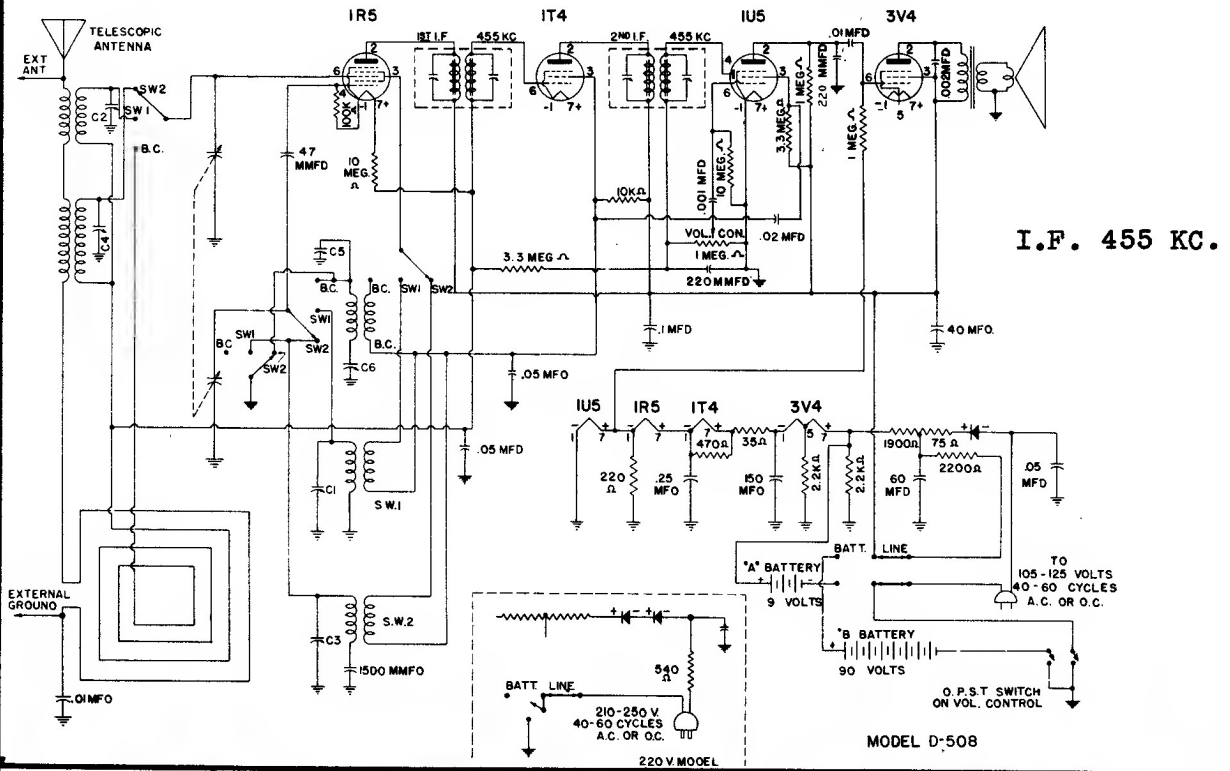


DeWald Radio Model D-508

RANGE:

- B.C. Band 540-1700 Kilocycles
- S.W., Band 1 16.7 to 5.3 Mc.
- S.W., Band 2 5.5 to 1.9 Mc.



To calibrate receiver connect the output of signal generator to the flexible antenna lead attached to the loop antenna. Connect the low side of signal generator through a 1/10 mfd. condenser to receiver chassis. Turn on the wave trap condenser. Adjust signal generator to 455 Kilocycles and adjust both I.F. transformers for maximum signal. Re-peak the wave trap condenser for minimum 455 K.C. signal. Open the receiver variable condenser for minimum capacity. Set signal generator at 1700 Kilocycles. Peak oscillator section of receiver condenser for maximum signal. Next set signal generator at 1500 Kilocycles. Tune in this signal. Adjust R.F. section of receiver variable condenser for maximum signal strength. Keep the signal generator output as low as possible when making all of these measurements.

DeWald Radio Model D-616

TO 105-125 VOLTS - 60 ~ ONLY