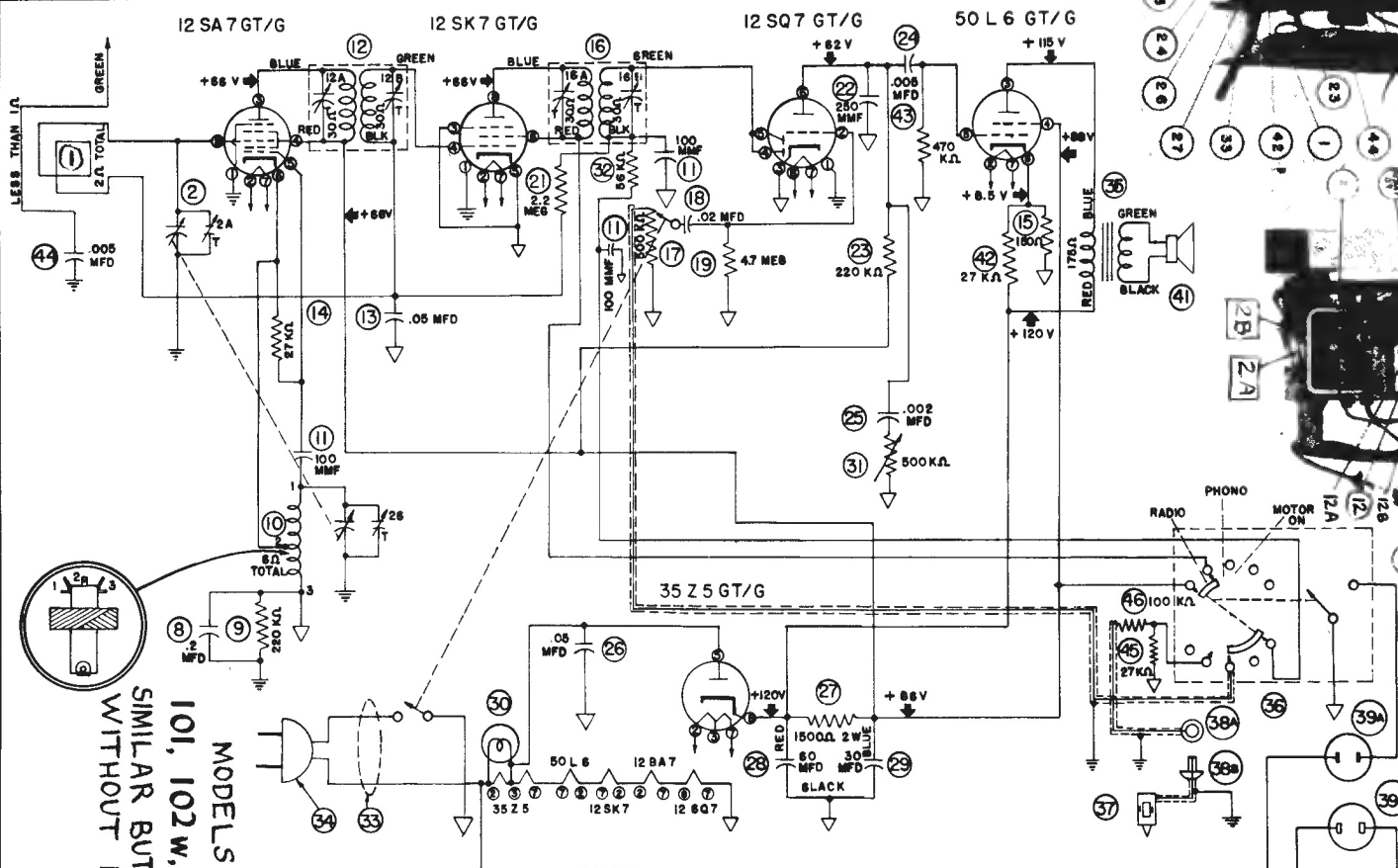
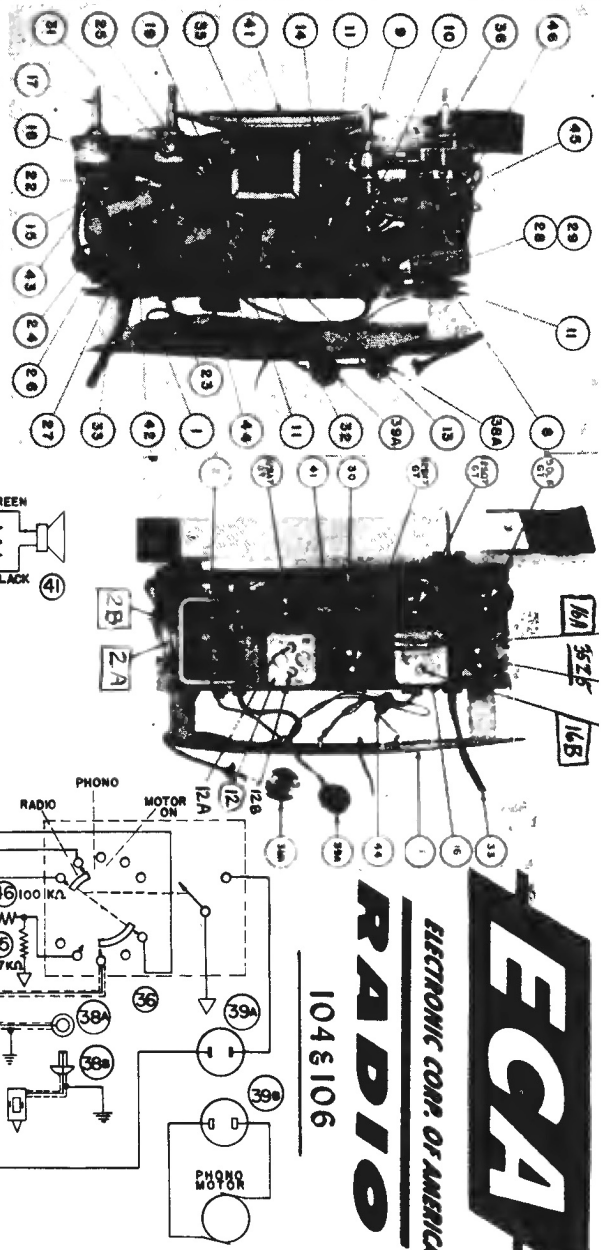


SET SIGNAL GENERATOR AT	SET GANG	LOOP DISTANCE	ADJUST TRIMMER	TUNE FOR	OPERATION
455 KC	Meshed	Close	12a 12b 16a 16b	Max.	Align-- I.F.
1720 KC	Fully Open	Close	2b	Max.	Align Oscillator
1400 KC	1400 KC	Close	2a	Max.	Align - R.F.



NOTE: ALL VOLTAGES MEASURED FROM B- WITH A 20,000 Ω/VOLT VOLTMETER - LINE VOLTAGE 117 V. A. C. - VOLUME CONTROL AT MAXIMUM - NO SIGNAL RECEIVED.
 I. F. FREQUENCY 455 K.C.
 □ DENOTES CHASSIS GROUND. ▽ DENOTES B- GROUND.



MODELS
 101, 102 W, 133
 SIMILAR BUT
 WITHOUT PHONO

ECA
 ELECTRONIC CORP. OF AMERICA
RADIO
 104S106