

EMERSON RADIO

MODEL: 508

CHASSIS MODEL: 120008

TYPE OF TUBES:

- 1—1R5, oscillator-modulator
- 1—1T4, i-f amplifier
- 1—1S5, 2nd detector, a.v.c., a-f amplifier
- 1—3S4, pentode output

POWER SUPPLY: "A" and "B" batteries.

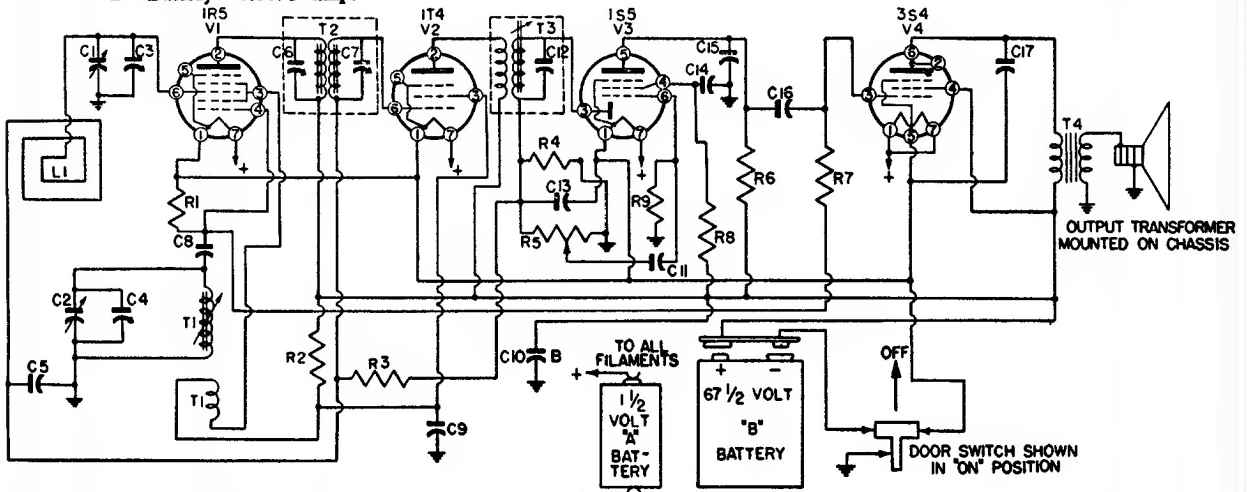
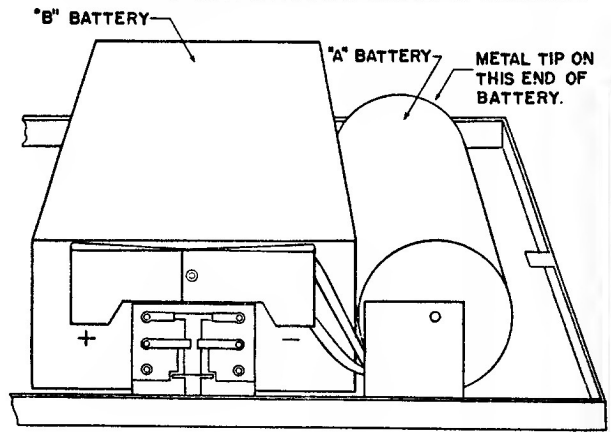
VOLTAGE RATING:

- "A" Battery—1.5 volts
- "B" Battery—67.5 volts

CURRENT DRAIN:

- "A" Battery—0.25 amp.
- "B" Battery—0.0075 amp.

BATTERIES MUST BE LOCATED EXACTLY AS ILLUSTRATED



C1, C2	Variable condenser, or.....
C1, C2	Variable condenser.....
C3, C4	Trimmers, part of C1, C2.....
C5, C9, C14	0.02 mfd., 100 V. roll-type condenser.....
C6, C7	Trimmers, part of T2.....
C8	0.0002 mfd. mica condenser, or.....
C8	0.0002 mfd. ceramic condenser.....
C10	8 mfd., 100 V. dry electrolytic condenser..
C11, C17	0.003 mfd., 150 V. roll-type condenser.....
C12	Condenser, part of T3.....
C13, C15	0.0001 mfd., ceramic condenser.....
C16	0.001 mfd., 100 V. flat roll-type condenser
L1	Loop assembly.....
R1	100,000 ohms, 1/4 watt resistor.....
R2	10,000 ohms, 1/4 watt resistor.....
R3	3.3 meg., 1/4 watt resistor.....
R4, R7	1 meg., 1/4 watt resistor.....
R5	Volume control.....
R6	0.47 meg., 1/4 watt resistor.....
R8	4.7 meg., 1/4 watt resistor.....
R9	10 meg., 1/4 watt resistor.....

Location of Coils and Trimmer Adjustments

The first i-f transformer (T2) is located next to the output transformer (T4). The trimmers (C6, C7) are accessible through holes in the top of the can.

The second i-f transformer (T3) is located between the 1T4 and 1S5 tubes. The single trimming core screw (C12) extends from the end of the can.

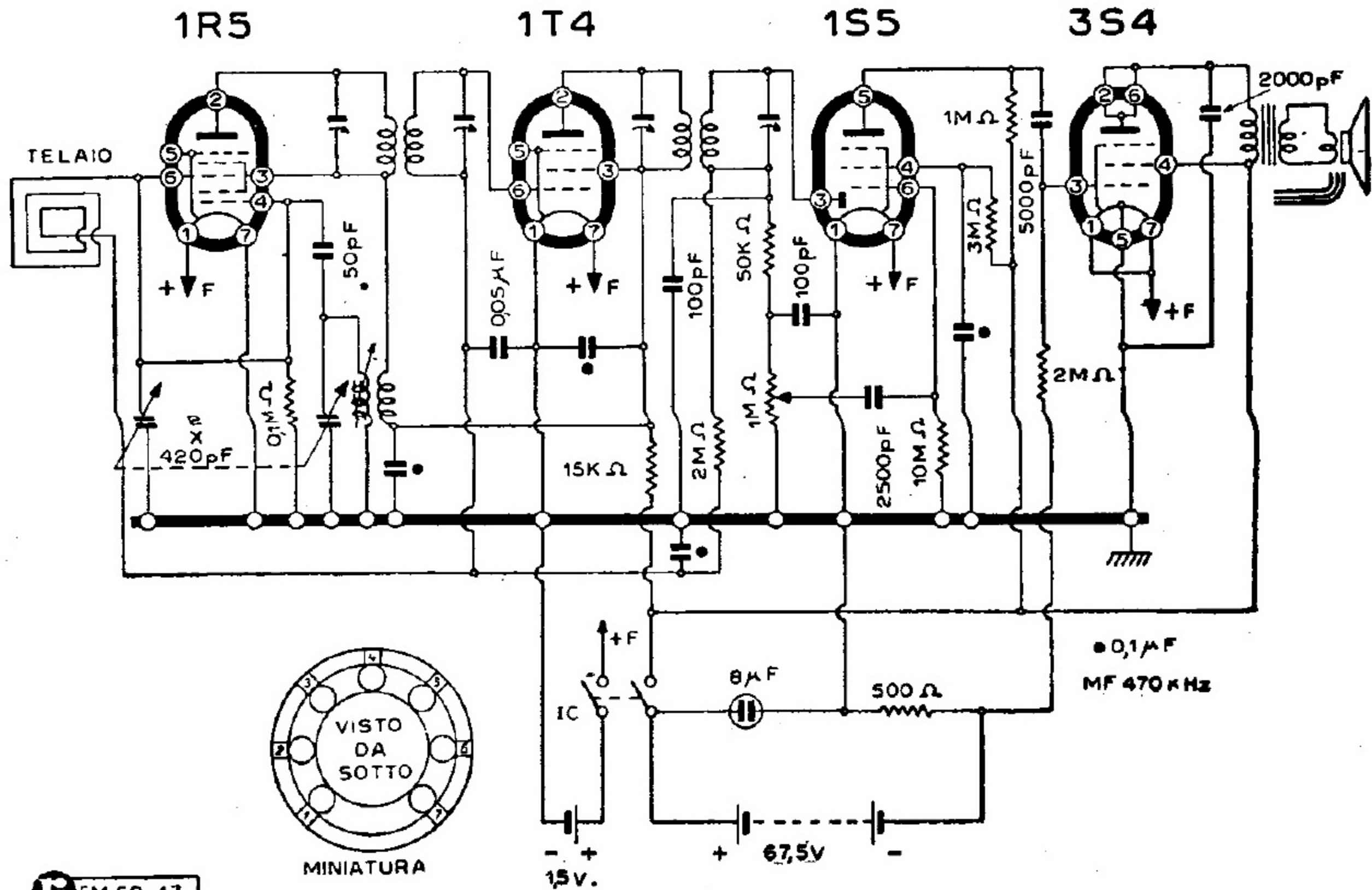
The oscillator coil (T1) is located next to the first i-f transformer. The trimmer for the oscillator (C4) is located on the smaller variable condenser section. The 600 kc oscillator core adjustment is the brass screw protruding from the end of the oscillator coil.

The loop antenna acts as the antenna coil. The trimmer for the loop (C3) is located on the larger section of the variable condenser.

PIN NUMBER

TUBE	1	2	3	4	5	6	7
1R5		67.5	40	*7.0		*0.3	1.5
1T4		67.5	40			*0.3	1.5
1S5			*0.35	*16.5	*39	*0.3	1.5
3S4	1.5	65	*7.0	67.5		65	1.5

Voltages marked (*) are taken with vacuum-tube voltmeter.



EM 60-17

EMERSON - MOD. « 508 »