

EMERSON RADIO

MODELS: 512, 515, 516, 550

CHASSIS MODELS: 120006, 120056 **530**

The 455 kc wave-trap is located below the chassis deck.

The trimmers for the antenna and oscillator coils are located on the variable condenser. The trimmer on the front section is for the oscillator coil.

The oscillator coil is located underneath the chassis. The loop antenna acts as the antenna coil.

I-f and Wave-Trap Alignment

Swing the variable condenser to the minimum capacity position. Feed 455 kc to the grid of the 12SA7 or 14Q7 tube through a 0.1 mfd. condenser and adjust the four i-f trimmers for maximum response.

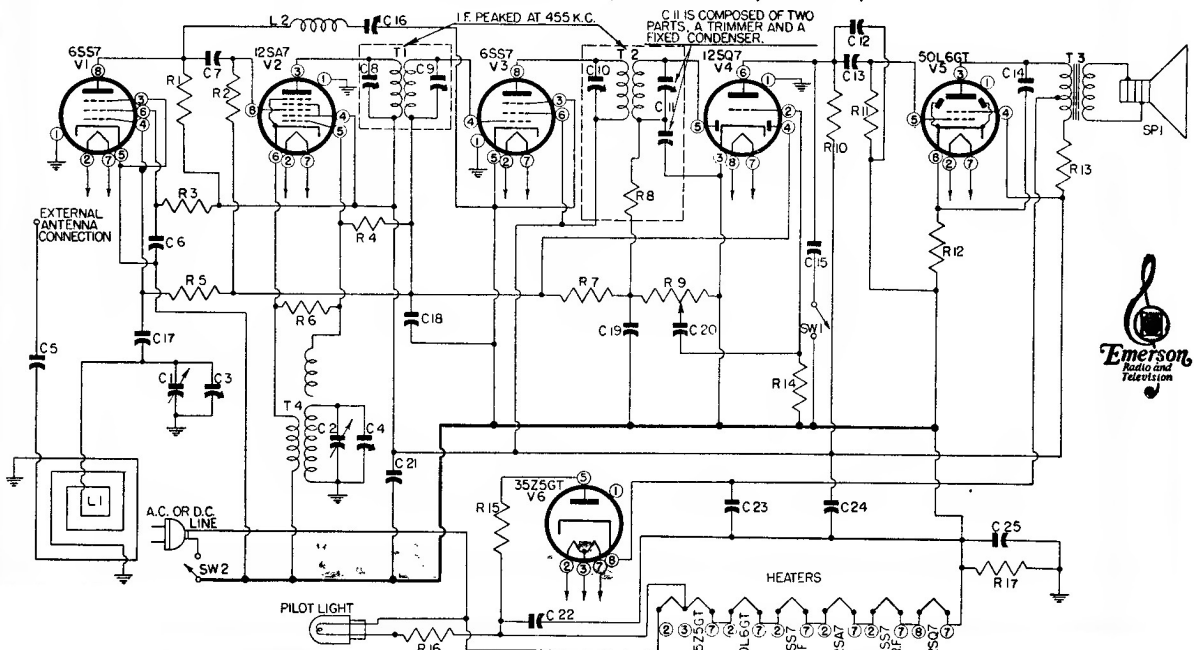
Feed 455 kc to the external antenna lead and adjust the wave-trap for minimum response.

R-f Alignment

Set the dial pointer at 140. Set the signal generator at 1400 kc and feed its output into a loop of wire about 12 inches in diameter. Hold this radiating loop about 12 inches from and parallel to the receiver loop antenna. Advance the output of the signal generator until deflection is obtained on the output meter. Adjust first the oscillator trimmer (on front section of variable condenser) then the antenna trimmer (on rear section of variable condenser) for maximum response.

If the loop antenna has been replaced it may be necessary to adjust the loop inductance as follows. Align at 140. Set the pointer at 60 and feed 600 kc to the antenna lead. A portion of the outside turn of the loop may be swung to either side of the center to give maximum response. Realign at 140.

Schematic Symbol	†Part No.	DESCRIPTION
C5, C15, C20	920010	0.002 mfd., 600 volt condenser
C6, C18	920060	0.05 mfd., 200 volt condenser
C7, C19	910010	0.00011 mfd., mica condenser
C12, C17	910000	0.00022 mfd., mica condenser
C13, C14	920020	0.02 mfd., 400 volt condenser
C21, C22	920030	0.05 mfd., 400 volt condenser
C23, C24	925110	30-50 mfd., 150 volt dual electrolytic condenser (chassis 120006), or
C23, C24	925011	50-50 mfd., 150 volt dual electrolytic condenser (chassis 120056)
C25	920050	0.2 mfd., 200 volt condenser
L1	700010	Loop antenna
L2	708060	455 kc wave trap
R1	310730	10,000 ohms, ¼ watt resistor
R2, R6	310810	22,000 ohms, ¼ watt resistor
R3	310870	39,000 ohms, ¼ watt resistor
R4, R14	397000	15 meg., ¼ watt resistor
R5, R10, R11	321130	470,000 ohms, ¼ watt resistor
R7	321330	3.3 meg., ¼ watt resistor
*R8		47,000 ohms resistor, part of i-f transformer
R9	390180	0.5 meg. volume control
R12	340290	150 ohms, ½ watt resistor
R13	370490	1,000 ohms, 1 watt resistor
R15	340050	15 ohms, ½ watt resistor
R16	340010	10 ohms, ½ watt resistor
R17	321050	220,000 ohms, ½ watt resistor



circuit diagram for chassis 120006. Substitute proper pin connections for local tubes on chassis 120056.

