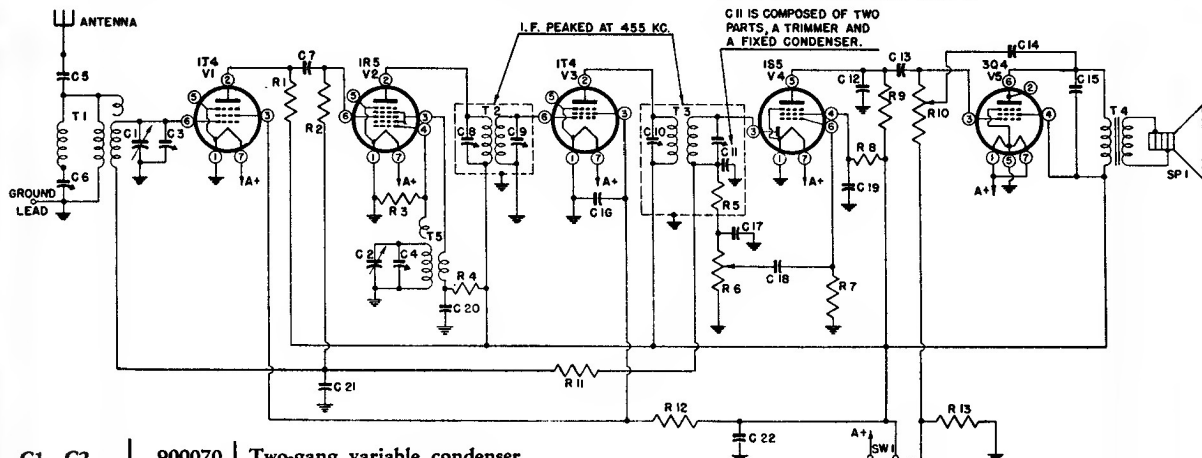


Emerson Radio

MODELS: 531, 532, 533

CHASSIS MODEL: 120040



C1, C2	900070	Two-gang variable condenser					
*C3, C4		Trimmers, part of variable condenser					
C5, C15	920170	0.001 mfd., 600 volt condenser					
*C6		Trimmer, part of antenna transformer					
C7, C12	910000	0.00022 mfd. mica condenser	R2	321130	470,000 ohms, 1/4 watt resistor		
*C8, C9, C10		Trimmers, part of i-f transformer	R3	320970	100,000 ohms, 1/4 watt resistor		
*C11		Trimmer and fixed condenser, part of second i-f transformer	*R5		47,000 ohms, 1/4 watt resistor, part of second i-f transformer		
C13, C16, C19, C20	920100	0.02 mfd., 200 volt condenser	R6	390180	0.5 meg. volume control		
C14	910250	0.00005 mfd. mica condenser	R7	321450	10 meg., 1/4 watt resistor		
C17	910010	0.00011 mfd. mica condenser	R8, R11	321330	3.3 meg., 1/4 watt resistor		
C18	920515	0.002 mfd., 400 volt condenser	R9	321210	1 meg., 1/4 watt resistor		
C21	920040	0.1 mfd., 200 volt condenser	R10	390280	0.4 meg. tone control		
C22	925003	16 mfd., 150 volt electrolytic condenser	R12	310770	15,000 ohms, 1/4 watt resistor		
PL1	585311	Battery plug and cable assembly, or	R13	310410	470 ohms, 1/4 watt resistor		
PL1	585312	Battery plug and cable assembly	SP1	180008	P.M. speaker		
R1, R4	310730	10,000 ohms, 1/4 watt resistor	SW1	510401	Battery switch, or		
			SW1	510001	Battery switch		
			T1	710001	Antenna transformer and trap		

The following voltage readings are d-c measurements from tube socket pin to chassis. A 1000 ohms-per-volt meter should be used for all readings except those indicated by an asterisk (*), which should be taken with a d-c vacuum-tube voltmeter. All voltages are positive unless otherwise indicated.

TUBE	PIN NUMBER						
	1	2	3	4	5	6	7
1T4 (V1)		55	52	82		*—,3	1.5
1R5		82	57	*—11.0		*—,4	1.5
1T4 (V3)		82	52			*—,4	1.5
1S5		—6.2	*—,45	*18	10	*—,3	1.5
3Q4		80.0	*—6.2	82	1.5	80	