

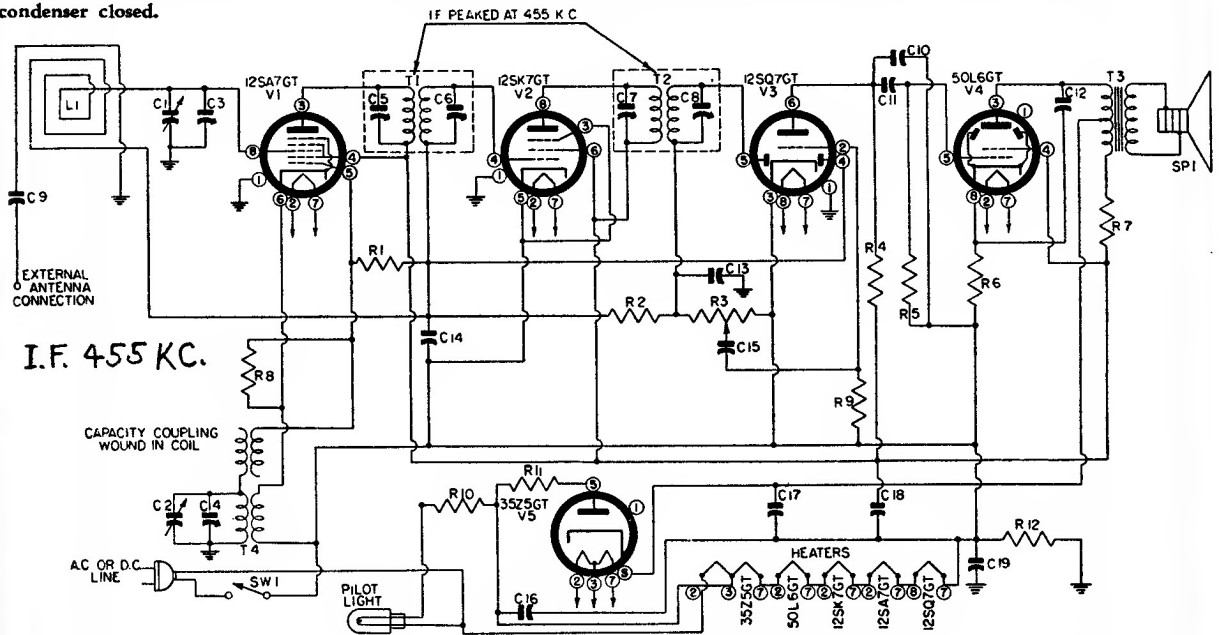
Emerson Radio

MODELS: 511, 517, 541

CHASSIS MODEL: 120010

TUBE	PIN NUMBER							
	1	2	3	4	5	6	7	8
12SA7			89	89	*—10			*—1.6
12SK7				*—1.6		89		89
12SQ7		*—0.7		*—1.6	*—0.5	37.5		
50L6			110	89				6.2
35Z5				116		116		117

The following voltage readings are d-c measurements taken from B— (line switch) to the indicated tube-socket pin. A 1000 ohms-per-volt meter should be used for all readings except those indicated by an asterisk (*), which should be taken with a d-c vacuum-tube voltmeter. Line voltage for these readings was 117 volts, 60 cycles, a.c. Measurements made with 117 volts d.c. will be lower than those given below. Take readings with the volume control set at minimum and the variable condenser closed.



Schematic Symbol	†Part No.	DESCRIPTION	Schematic Symbol	†Part No.	DESCRIPTION
C1, C2	900160	Two-gang variable condenser	R2	321330	3.3 meg., ¼ watt carbon resistor
*C3, C4		Trimmers, part of variable condenser	R3	390000	Volume control with line switch
*C5, C6, } C7, C8 }		Trimmers, part of i-f transformers	R4, R5	321130	470,000 ohms, ¼ watt carbon resistor
C9, C15	920010	0.002 mfd., 600 V. paper condenser	R6	340290	150 ohms, ½ watt carbon resistor
C10	920240	500 mmfd., 600 V. paper condenser	R7	370490	1000 ohms, 1 watt carbon resistor
C11, C12	920020	0.02 mfd., 400 V. paper condenser	R8	310810	22,000 ohms, ¼ watt carbon resistor
C13	910000	220 mmfd., 600 V. mica condenser	R10	340010	6.8 ohms, ¼ watt carbon resistor
C14	920040	0.1 mfd., 200 V. paper condenser	R11	397040	15 ohms, 1 watt wire-wound resistor
C16	920030	0.05 mfd., 400 V. paper condenser	R12	321050	220,000 ohms, ¼ watt carbon resistor
C17, C18	925000	Dual electrolytic condenser, 150 V.; C20—30 mfd., C21—50 mfd.	SP1	180000	P.M. Speaker
C19	920050	0.2 mfd., 200 V. paper condenser	*SW1		Line switch, part of volume control
L1	700000	Loop antenna assembly, or	T1	720000	First i-f transformer
L1	700200	Loop antenna assembly	T2	720100	Second i-f transformer
R1, R9	397000	15 meg., ¼ watt carbon resistor	T3	734000	Output transformer
			T4	716010	Oscillator coil
				583010	Line cord