

EMERSON RADIO & PHONOGRAPH CORP.

MODEL: 559

CHASSIS MODEL: 120059

	DUMMY ANTENNA	SIGNAL GENERATOR COUPLING	SIGNAL GENERATOR FREQUENCY	RADIO DIAL SETTING	OUTPUT METER	ADJUST	REMARKS
1	0.1 mfd.	High side to rear stator of variable condenser. Low side to chassis.	455 kc	Variable condenser fully open.	Across voice coil.	A1, A2 A3, A4	Adjust for maximum output. If a-c power is used without an isolation transformer, reduce dummy antenna to 200 mmfd. to reduce hum modulation.
2		Loop	1620 kc	Variable condenser fully open.	Across voice coil.	A5	Fashion loop of several turns of wire and radiate signal into loop of receiver. Adjust for maximum output.
3		Loop	1400 kc	Tune for maximum	Across voice coil.	A6	Adjust for maximum output.

1—Voltage and resistance readings taken in a.c.-d.c. position.

2—Voltage readings are in volts and resistance readings in ohms unless otherwise specified.

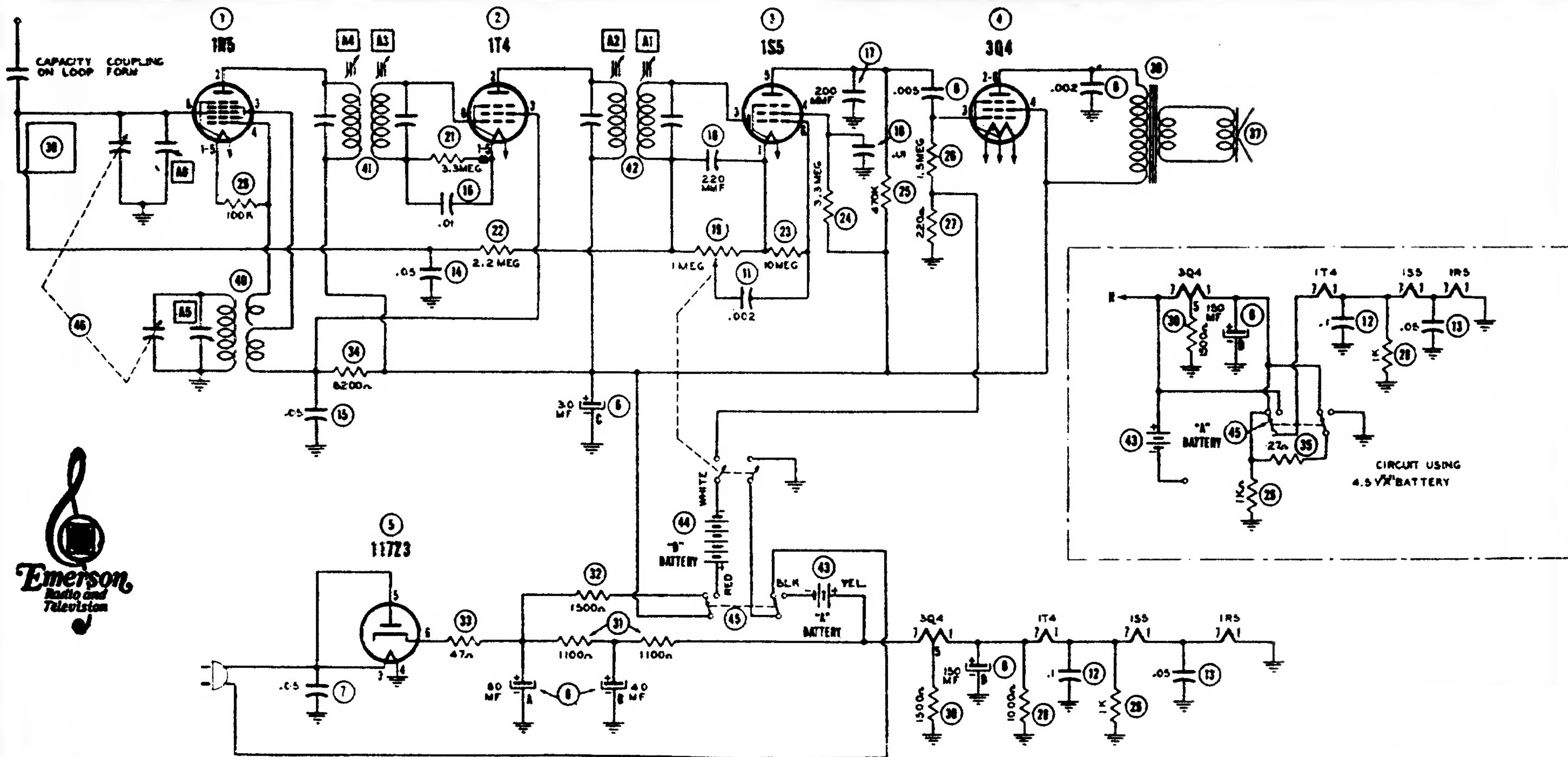
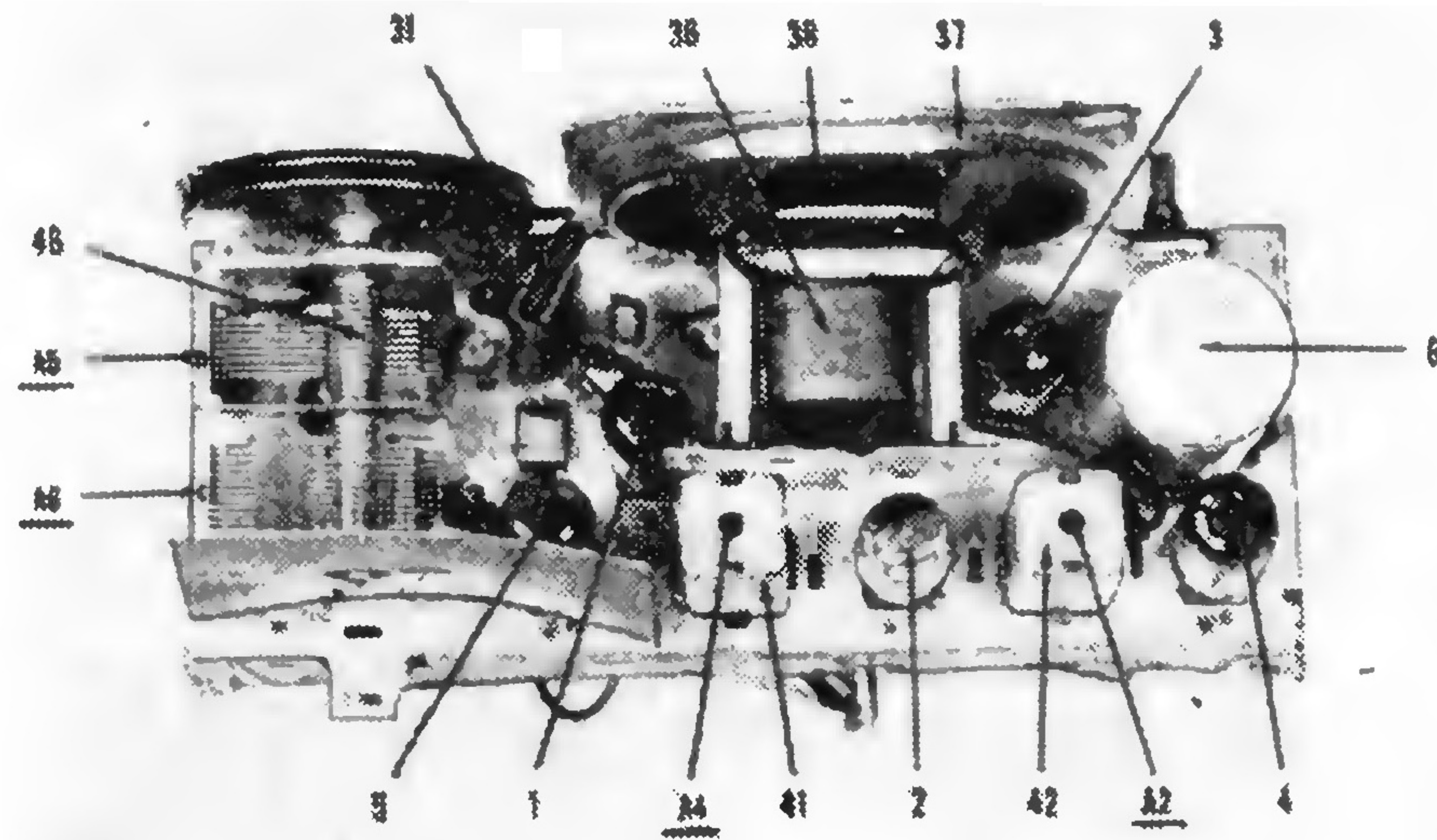
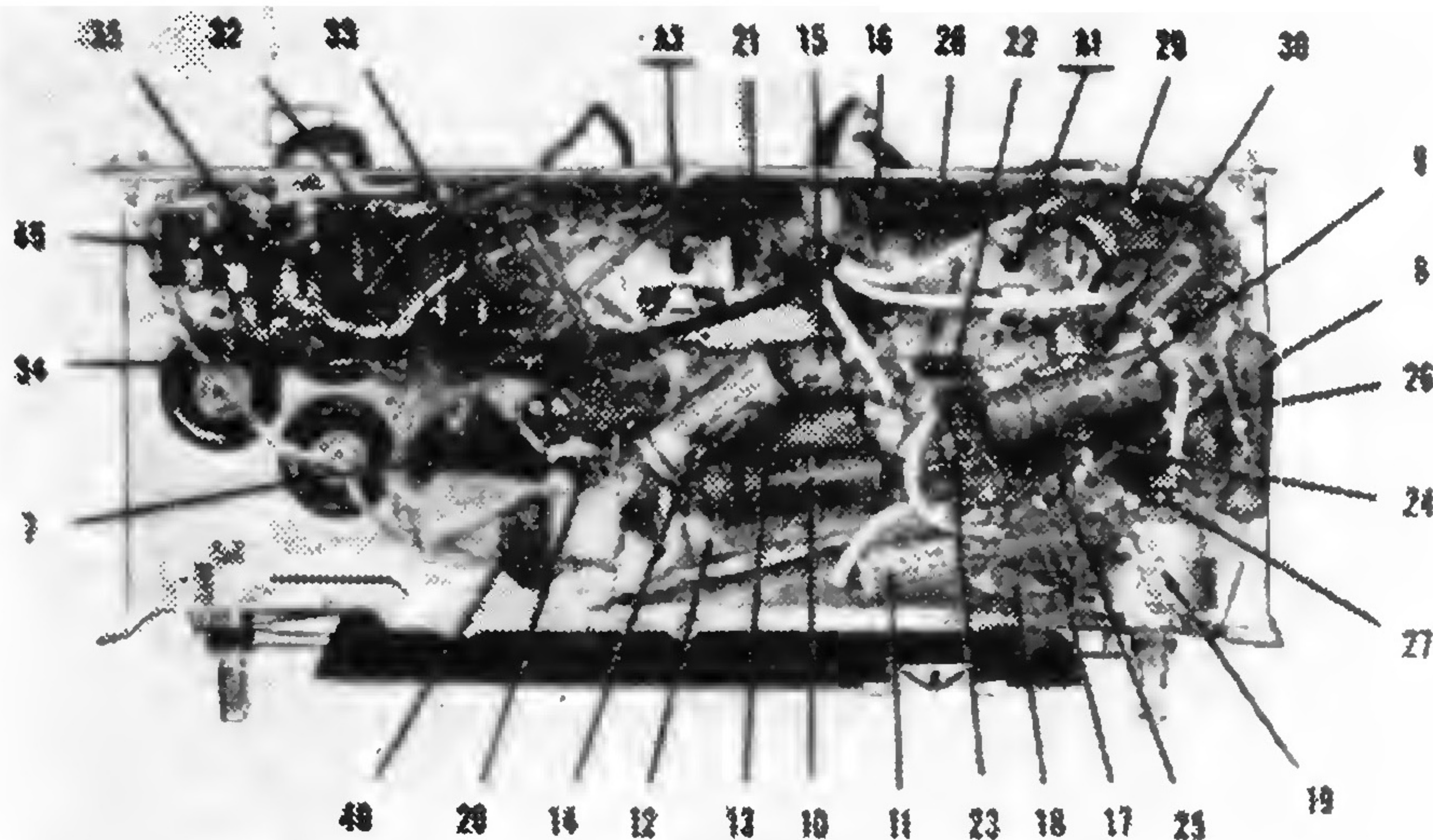
3—D-C voltage measurements are at 20,000 ohms per volt; a-c voltages measured at 1000 ohms per volt.

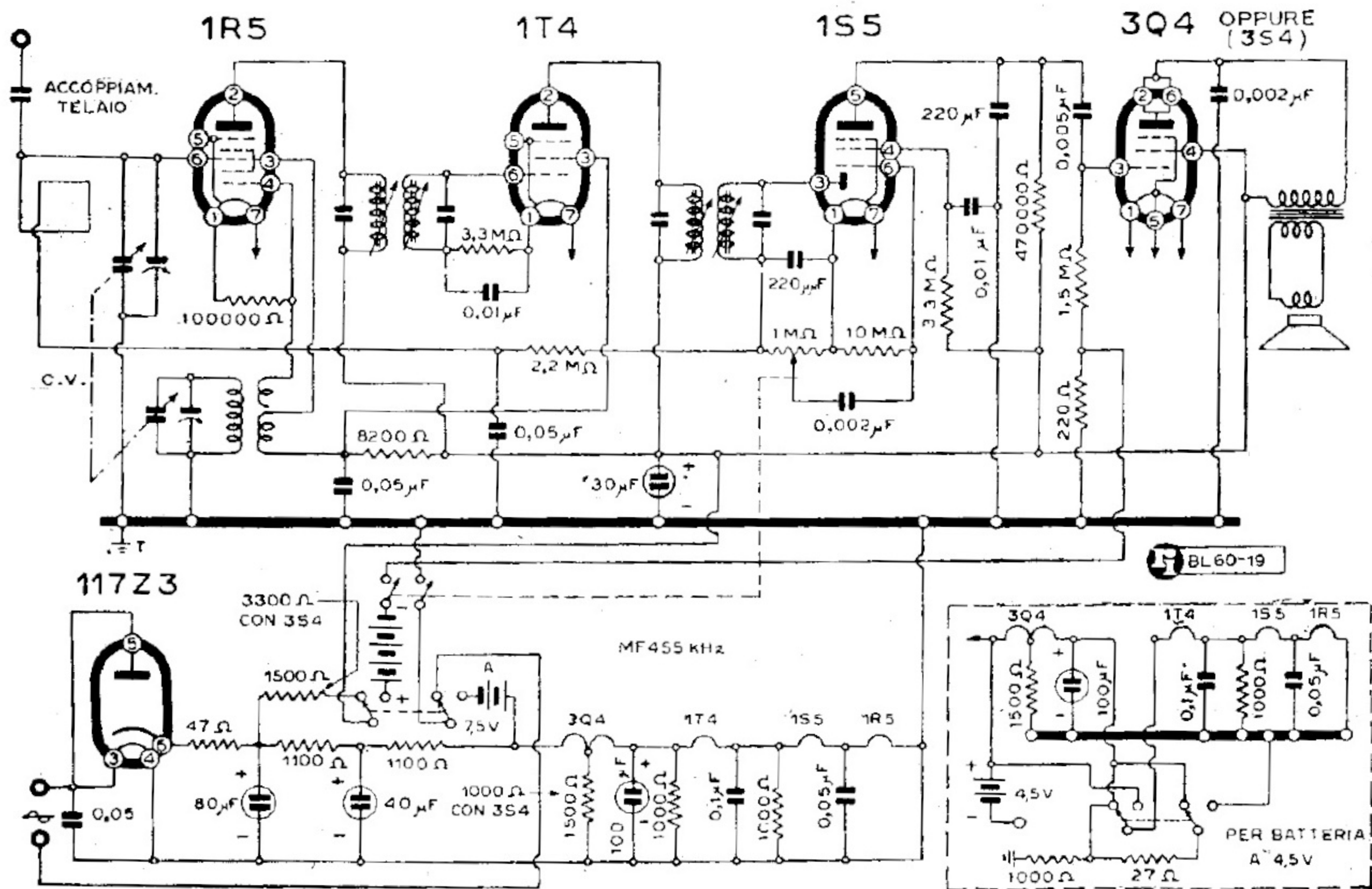
4—Socket connections are shown as bottom views.

5—Measured values are from socket pin to common negative.

SYMBOL	TUBE TYPE	PIN 1	PIN 2	PIN 3	PIN 4	PIN 5	PIN 6	PIN 7
1	1R5	0	90DC	62DC	—14.8DC	0	0	1.4DC
2	1T4	2.7D.C.	90DC	62DC	0	2.7DC	0.1DC	4.2DC
3	1S5	1.4DC	0	0.1DC	16DC	28.5DC	0	2.7DC
4	3Q4	4.2DC	85DC	0	90DC	5.6DC	85DC	7DC
5	117Z3	0	106DC	117AC	0	117AC	117DC	106DC

Oscillator Grid Voltages Are Measured By Vacuum-Tube Voltmeter.





EMERSON - MOD. « 559 »