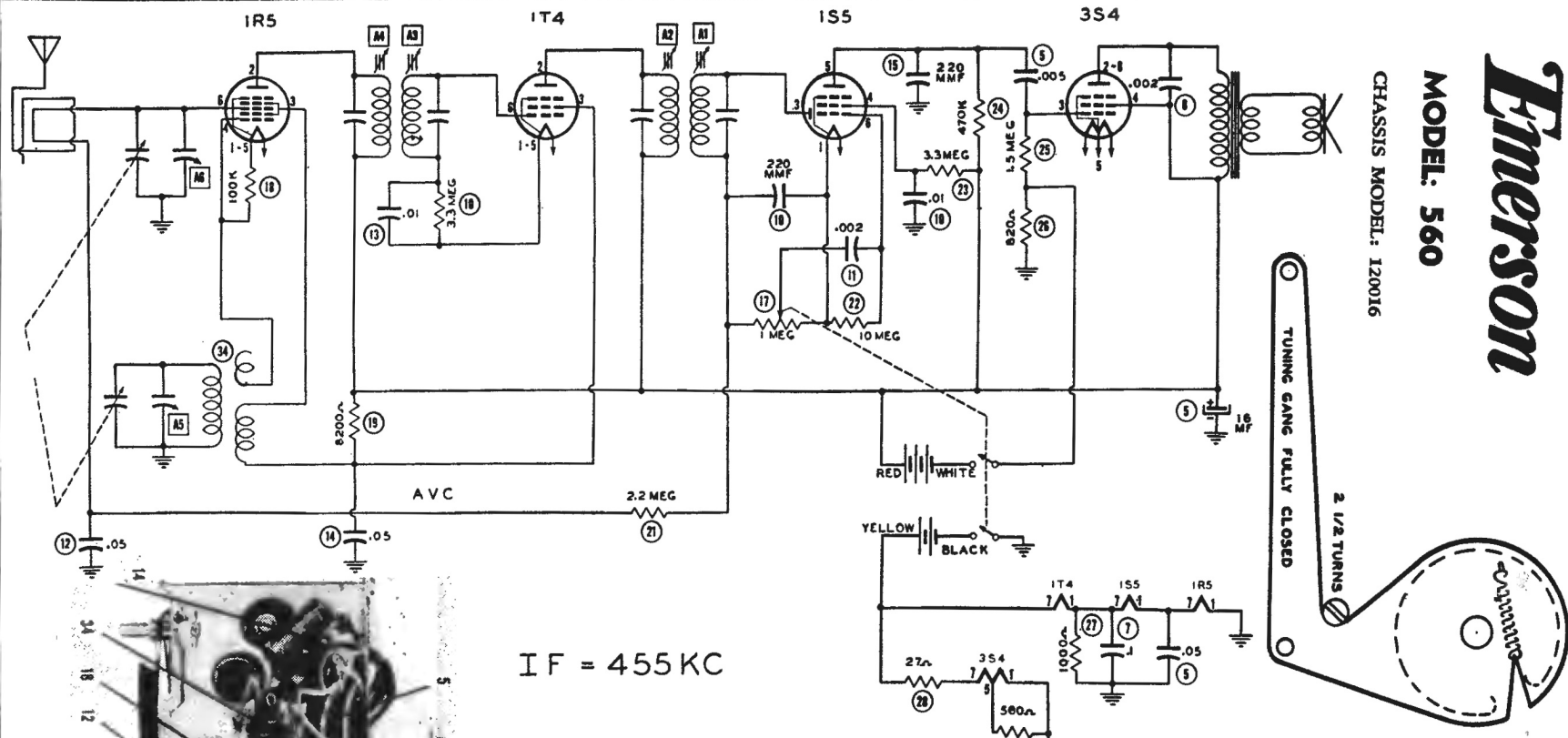


# Emerson

MODEL: 560

CHASSIS MODEL: 120016



IF = 455 KC

To set pointer, turn variable condenser fully closed and set pointer at mark near left end of dial backplate. Connect a 100,000 ohm resistor across the loop leads during Steps 1 and 2. Volume control should be at maximum position; output of signal generator should be no higher than necessary to obtain an output reading. Use an insulated alignment screwdriver for adjusting.

	DUMMY ANTENNA	SIGNAL GENERATOR COUPLING	SIGNAL GENERATOR FREQUENCY	RADIO DIAL SETTING	OUTPUT METER	ADJUST	REMARKS
1	0.1 mfd.	High side to rear stator of variable condenser. Low side to chassis.	455 kc	Variable condenser fully open.	Across voice coil.	A1, A2, A3, A4	Adjust for maximum output.
2	0.1 mfd.	High side to rear stator of variable condenser. Low side to chassis.	1620 kc	Variable condenser fully open.	Across voice coil.	A5	Adjust for maximum output.
3		Loop	1400 kc	Tune for maximum output.	Across voice coil.	A6	Disconnect 100,000 ohm resistor from loop leads. Connect loop leads to loop. Hold chassis in same relative position

