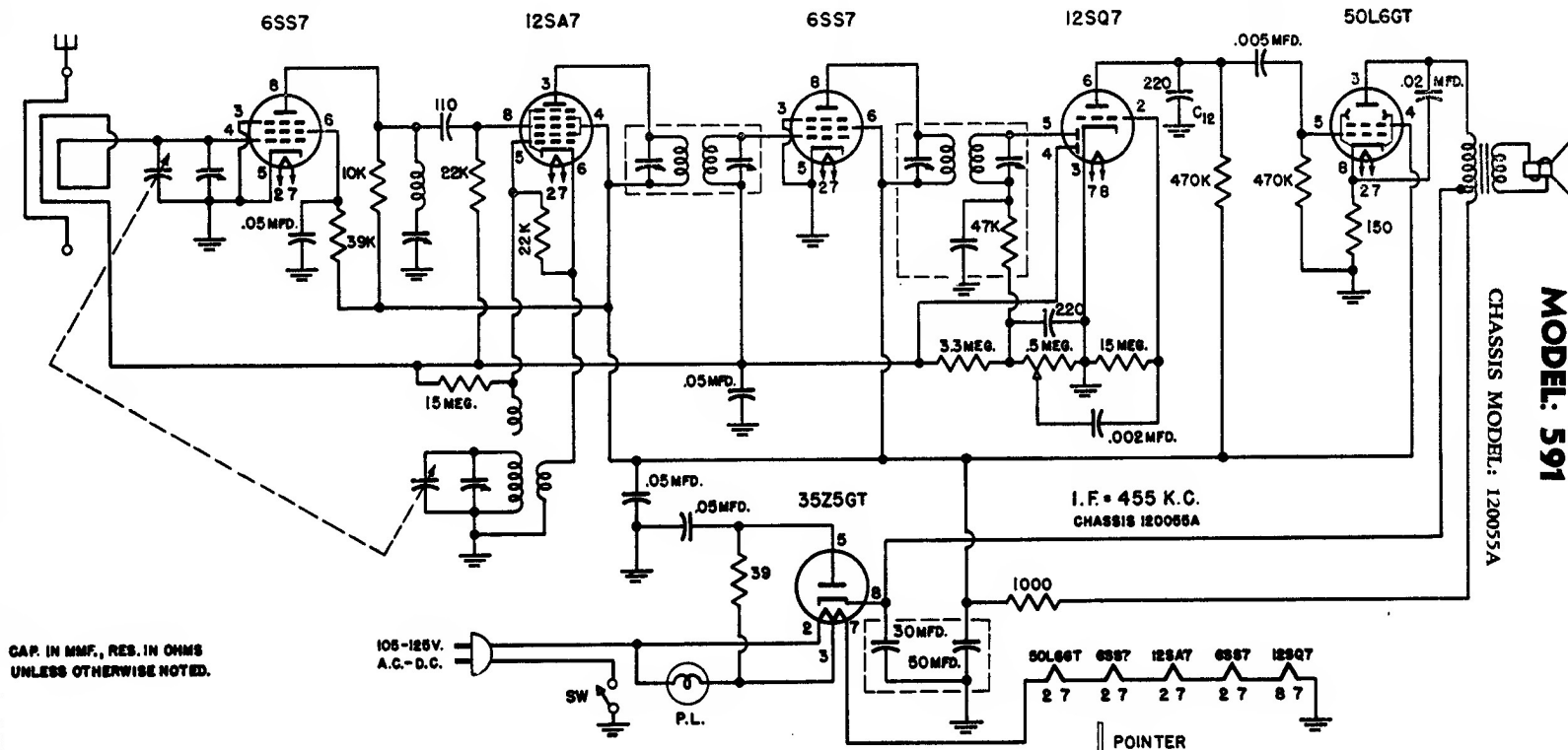


Emerson Radio

MODEL: 591

CHASSIS MODEL: 120055A



CAP. IN MMF., RES. IN OHMS
UNLESS OTHERWISE NOTED.

VOLTAGE READINGS

TUBE	PIN 1	PIN 2	PIN 3	PIN 4	PIN 5	PIN 6	PIN 7	PIN 8
6SS7	0	19 AC	0	-6	0	55	12 AC	50
12SA7	0	31 AC	B3	85	-4.5	0	19 AC	-5
6SS7	0	37 AC	0	-6	0	85	31 AC	B3
12SQ7	0	-9	0	-4	0	52	0	12 AC
50L6GT	NC	87 AC	100	B5	0	NC	37 AC	5.8
35Z5GT	NC	117 AC	113 AC	106	112 AC	NC	87 AC	106

D.c. voltage measurements are at 20,000 ohms-per-volt; a.c. voltages measured at 1000 ohms-per-volt.

Socket connections are shown as bottom views.

Measured values are from socket pin to common negative (chassis).

Line voltage maintained at 117 volts for voltage readings.

Nominal tolerance on component values makes possible a variation of $\pm 15\%$ in voltage and resistance readings.

Volume control at maximum with no signal applied, for voltage measurements.

