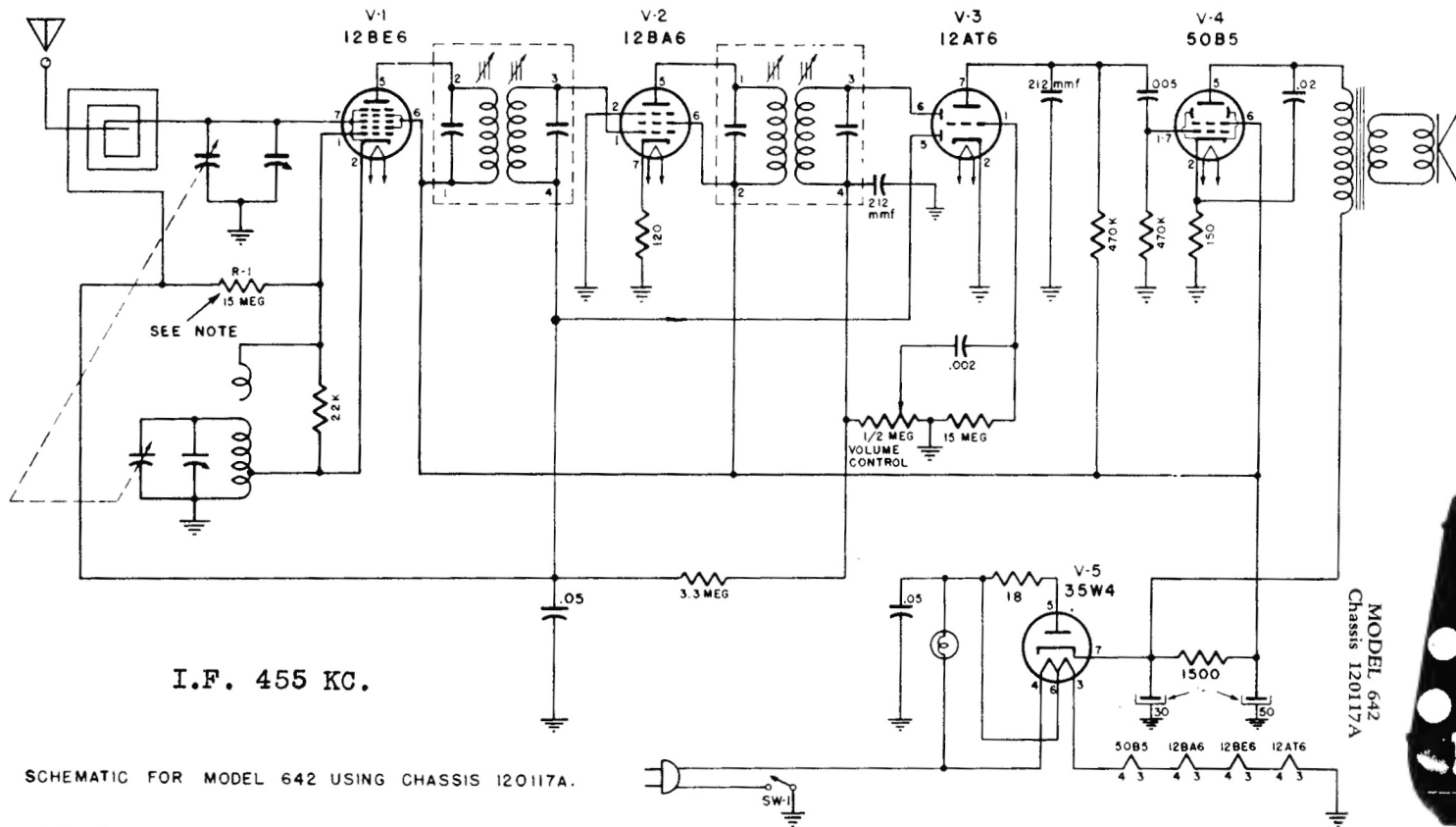


# EMERSON RADIO

## MODELS: 642

CHASSIS: 120117A



I.F. 455 KC.

SCHEMATIC FOR MODEL 642 USING CHASSIS 120117A.

NOTE: R-1 NOT IN LATER SETS.



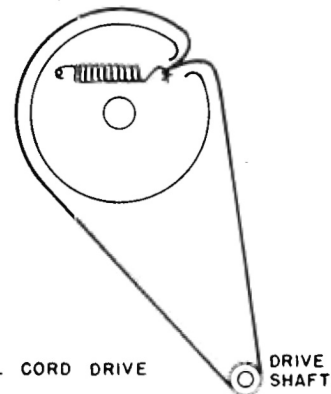
MODEL 642  
Chassis 120117A

### VOLTAGE READINGS FOR CHASSIS 120117A

Symbol	TUBE	PIN 1	PIN 2	PIN 3	PIN 4	PIN 5	PIN 6	PIN 7
V1	12BE6	-5.3 DC	0	11.2 AC	25 AC	90 DC	85 DC	-.45 DC
V2	12BA6	-.45 DC	0	25 AC	38 AC	90 DC	87 DC	1. DC
V3	12AT6	-.6 DC	0	0	12 AC	-.45 DC	-.45 DC	45 DC
V4	50B5	0	5.5 DC	38 AC	85 AC	110 DC	85 DC	0
V5	35W4	0	0	85 AC	117 AC	110 AC	112 AC	120 DC

### RESISTANCE READINGS FOR CHASSIS 120117A

Symbol	TUBE	PIN 1	PIN 2	PIN 3	PIN 4	PIN 5	PIN 6	PIN 7
V1	12BE6	2400	0.6	18	32	300,000	300,000	3 meg.
V2	12BA6	3 meg.	0	32	48	300,000	300,000	120
V3	12AT6	15 meg.	0	0	18	3 meg.	500,000	500,000
V4	50B5	400,000	150	48	80	300,000	300,000	400,000
V5	35W4	0	0	80	100	110	100	300,000



DIAL CORD DRIVE

DRIVE SHAFT