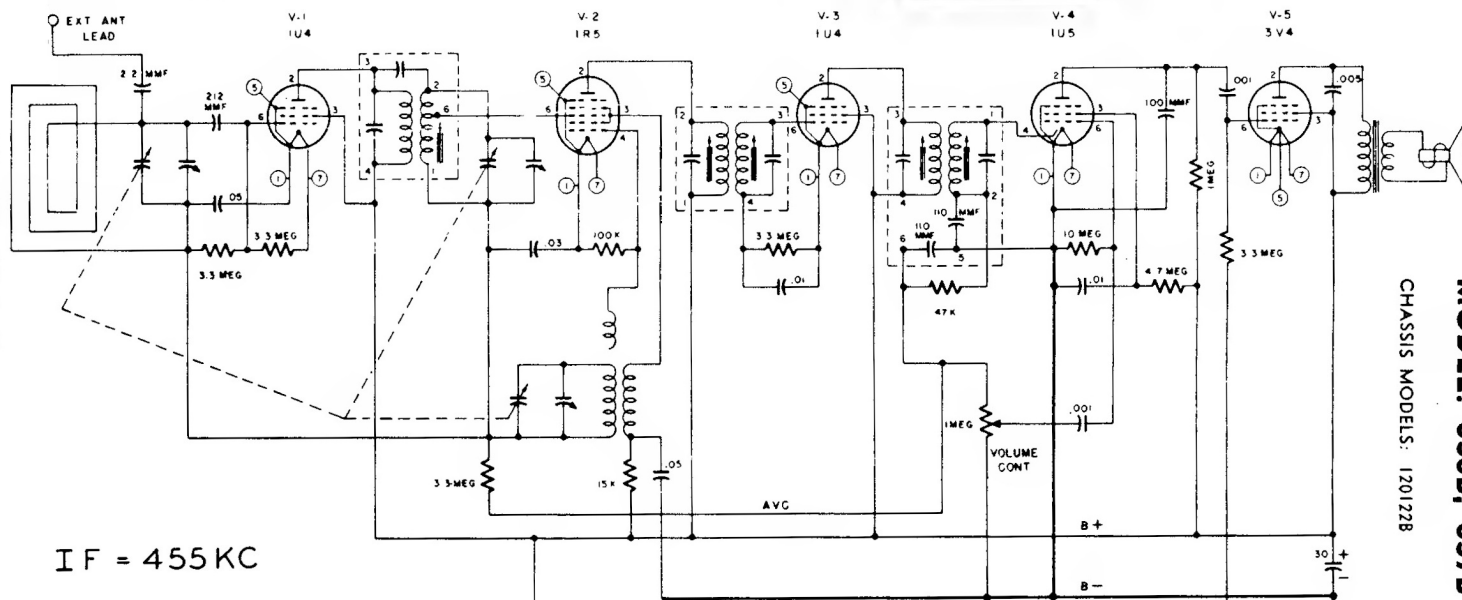


Emerson Radio

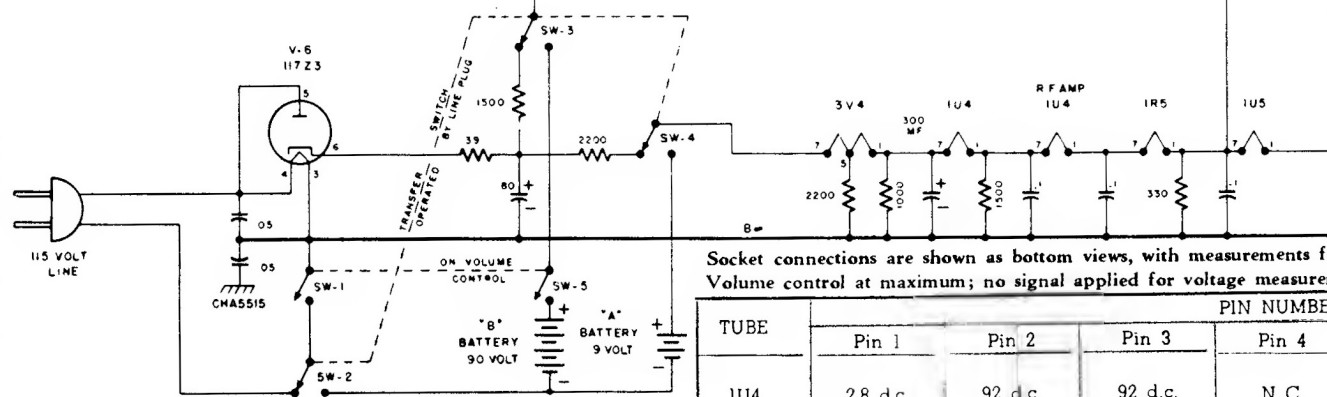
SERVICE NOTES

MODEL: 656B, 657B

CHASSIS MODELS: 120122B



IF = 455 KC



Socket connections are shown as bottom views, with measurements from pin to common negative. Volume control at maximum; no signal applied for voltage measurements.

TUBE	PIN NUMBER						
	Pin 1	Pin 2	Pin 3	Pin 4	Pin 5	Pin 6	Pin 7
1U4	2.8 d.c.	92 d.c.	92 d.c.	N. C.	28 d.c.	1.8 d.c.	4.2 d.c.
1R5	1.4 d.c.	92 d.c.	60 d.c.	-10 d.c.	1.4 d.c.	.2 d.c.	2.8 d.c.
1U4	4.2 d.c.	92 d.c.	92 d.c.	N. C.	4.2 d.c.	3.1 d.c.	5.8 d.c.
1U5	0	26 d.c.	21 d.c.	-5V d.c.	-5V d.c.	0	1.4V d.c.
3V4	5.7 d.c.	88 d.c.	92 d.c.	0	7 d.c.	1.2 d.c.	8.5 d.c.
117Z3	N. C.	120 d.c.	0	120 a.c.	120 a.c.	120 d.c.	0

