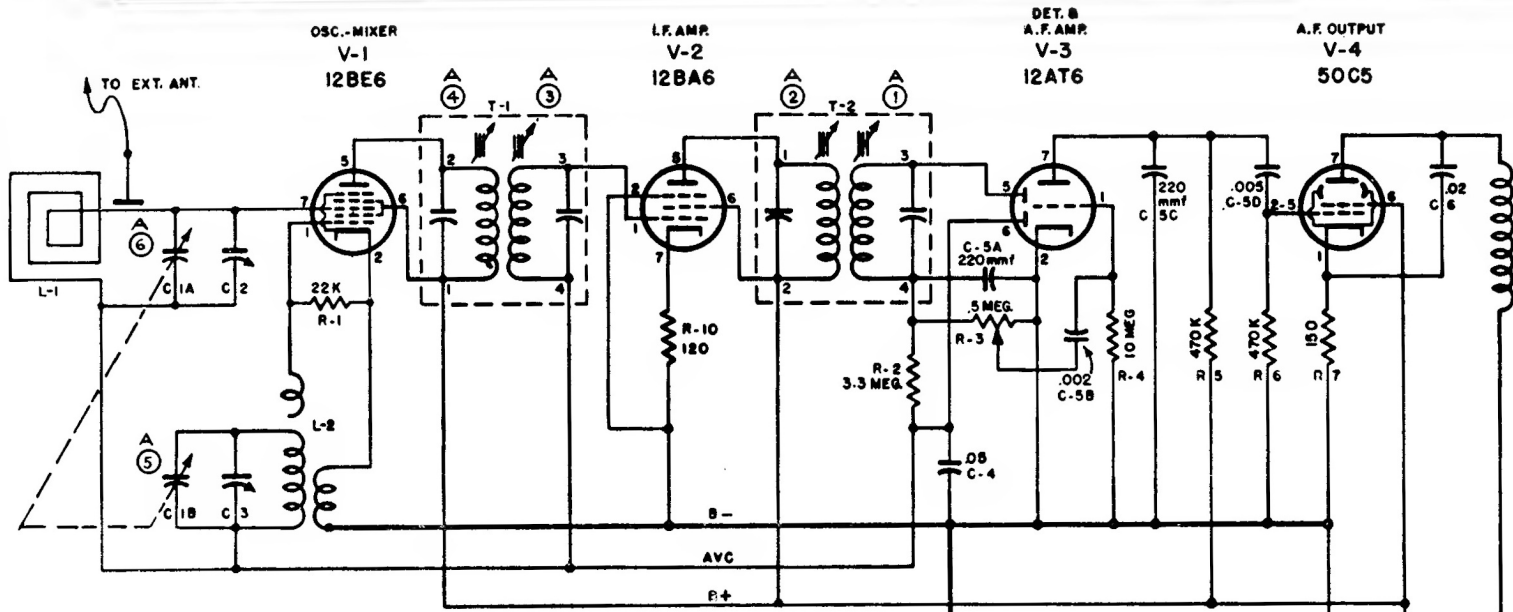


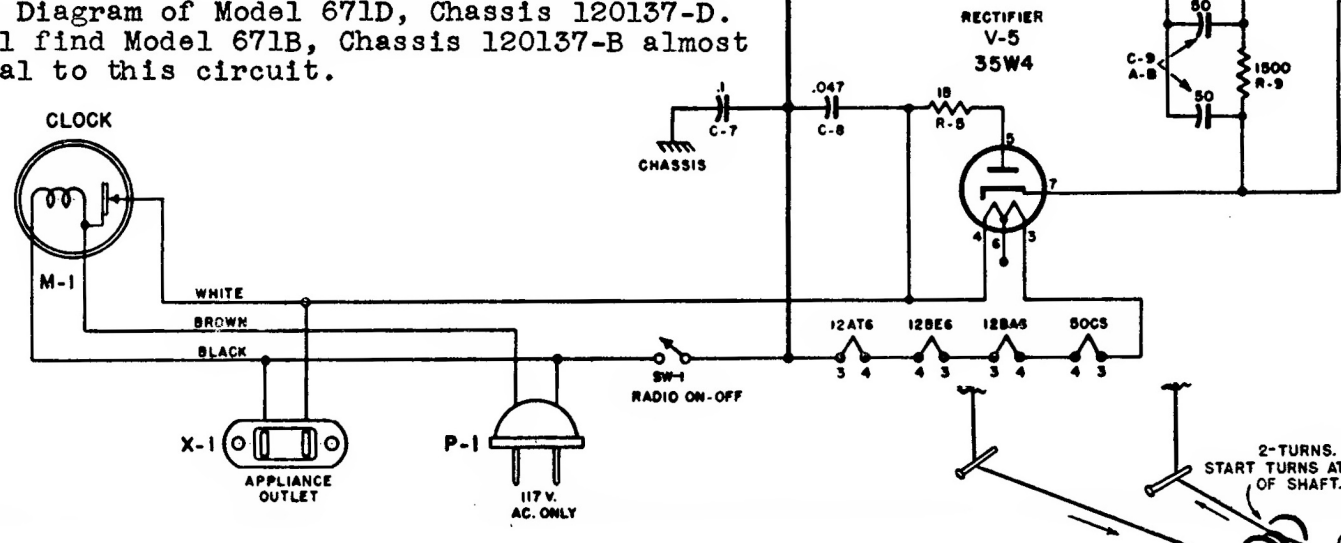
Emerson Radio

MODEL: 671D

CHASSIS: 120137-D



Circuit Diagram of Model 671D, Chassis 120137-D. You will find Model 671B, Chassis 120137-B almost identical to this circuit.



I.F. 455 KC.

RES. IN OHMS
CAP. IN MFDS.
UNLESS OTHERWISE NOTED

