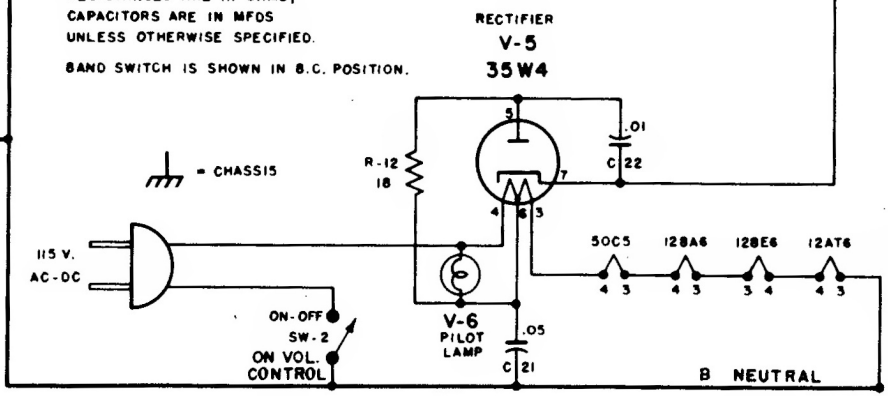
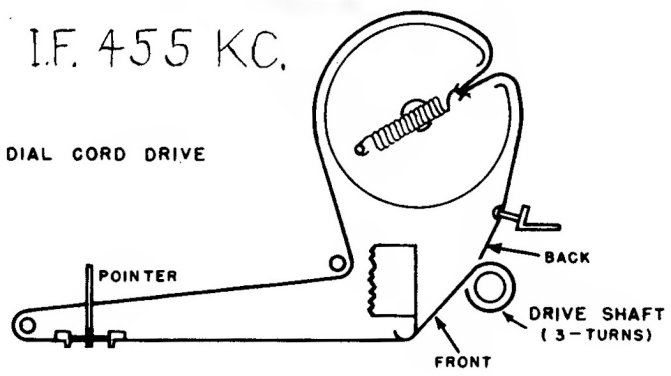


NOTE:
RESISTANCES ARE IN OHMS,
CAPACITORS ARE IN MFDS
UNLESS OTHERWISE SPECIFIED.
BAND SWITCH IS SHOWN IN B.C. POSITION.



I.F. 455 KC.

DIAL CORD DRIVE



SET POINTER AT LOW FREQ. END OF DIAL.

EMERSON RADIO AND PHONOGRAPH CORP

MODEL - 691B

TYPE: Two-band superheterodyne.

CHASSIS - 120145-B

FREQUENCY RANGE: Broadcast 540-1620 kc
Short Wave 6-18 mc.