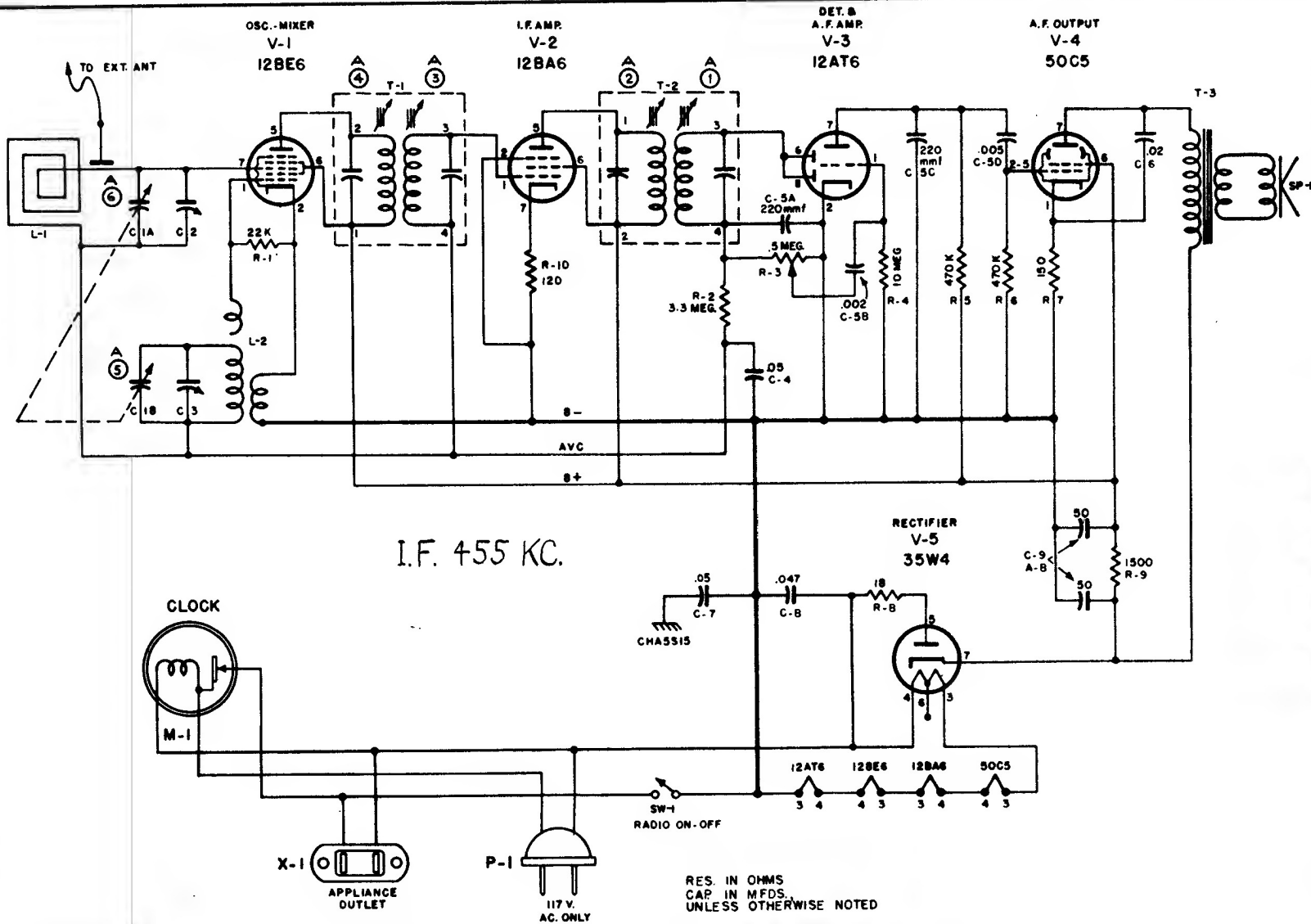


Emerson Radio

MODELS - 695B
710B
CHASSIS - 120146-B



VOLTAGE READING FOR CHASSIS 120146-B

SYMBOL	TUBE	PIN 1	PIN 2	PIN 3	PIN 4	PIN 5	PIN 6	PIN 7
V-1	12BE6	-.63 DC	0	24 AC	12 AC	90 DC	90 DC	-.8 DC
V-2	12BA6	-.8 DC	0	24 AC	36 AC	90 DC	90 DC	1 DC
V-3	12AT6	-.9 DC	0	0	12 AC	-.8 DC	-.8 DC	38 DC
V-4	50C5	5.5 DC	0	80 AC	36 AC	0	90 DC	110 DC
V-5	35W4	0	0	80 AC	117 AC	115 AC	110 AC	120 DC

D-C voltage measurements are at 20,000 ohms per volt; a-c voltage measured at 1,000 ohms per volt.