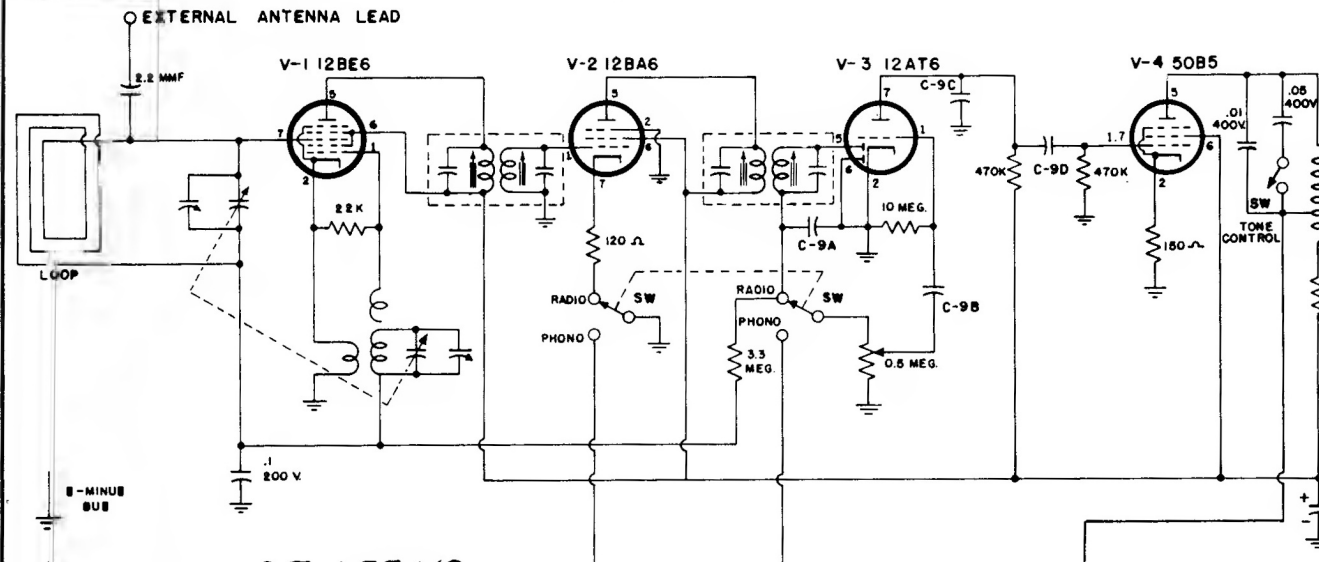


# EMERSON RADIO

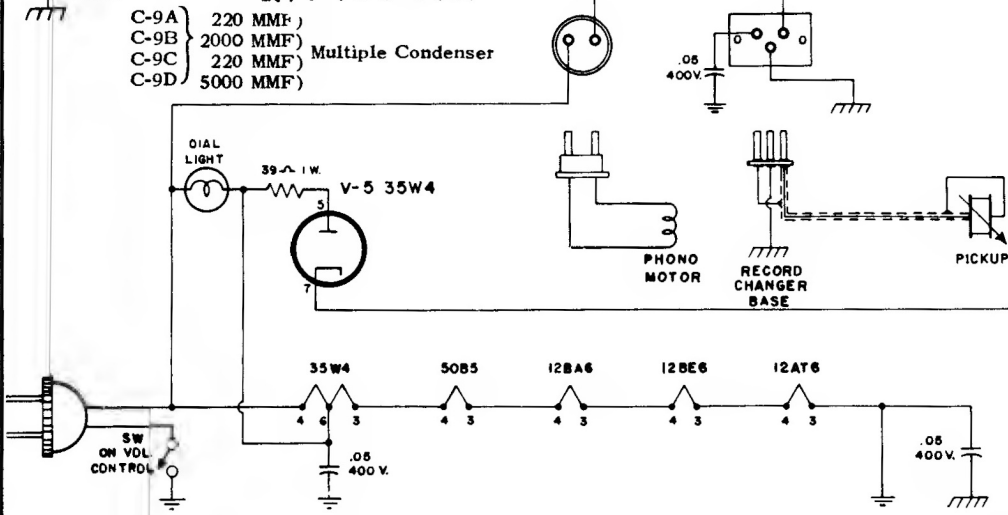
MODEL - 703B

CHASSIS - 120097-B



I.F. 455 KC.

- Multiple Condenser
- C-9A } 220 MMF)
  - C-9B } 2000 MMF)
  - C-9C } 220 MMF)
  - C-9D } 5000 MMF)



## CONDITIONS FOR VOLTAGE AND RESISTANCE READINGS

Socket connections are shown as bottom views, with measurements from pin to common negative.  
 Volume control at maximum; radio-phono switch in radio position; no signal applied for Model 703B measurements.  
 Nominal tolerance on component values makes possible a variation of  $\pm 15\%$  in voltage and resistance readings.  
 On the diagrams, upper values are voltage; lower values are resistance. NC denotes no connection, K is kilohms, MEG is megohms, INF. is infinity. Resistances marked \* are measured to pin 7 of rectifier (B+).

