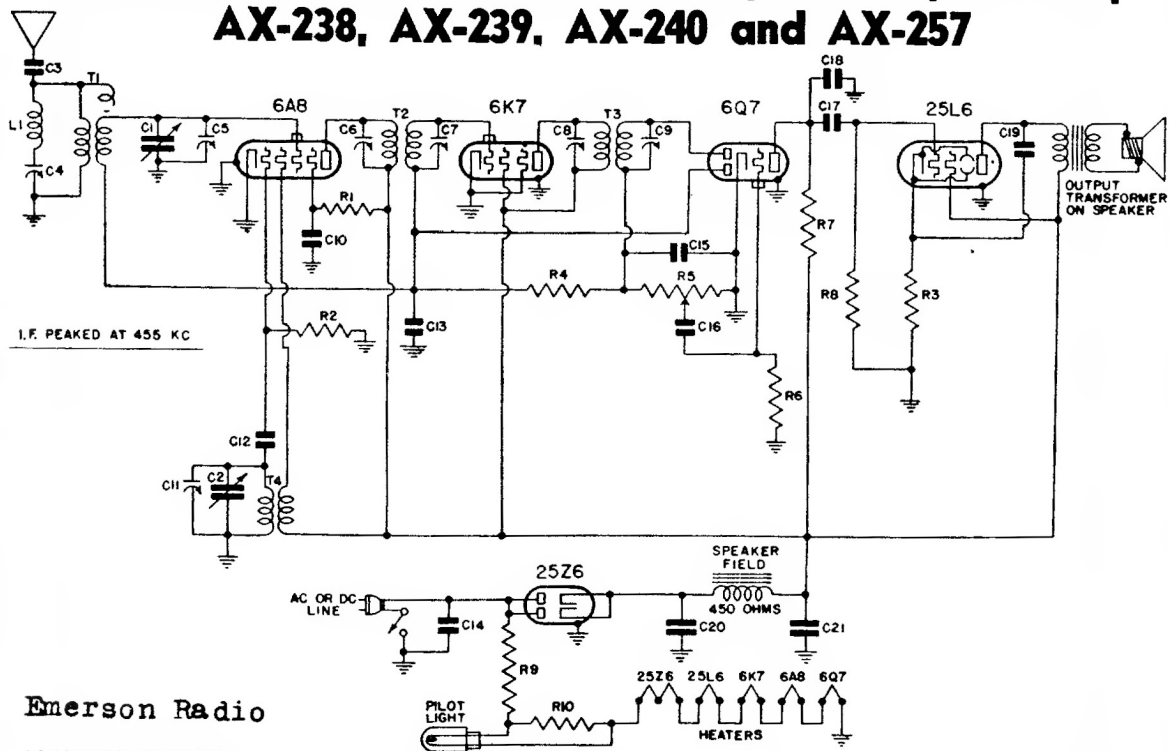


# Emerson Radio and Phonograph Corp.

## Models AX-211, AX-212, AX-217, AX-235, AX-237, AX-238, AX-239, AX-240 and AX-257



Emerson Radio

SCHEMATIC DIAGRAM

5 TUBE AC-DC RECEIVER

SCHEMATIC DIAGRAM FOR MODELS AX-211, 212, 217, 235, 237, 238, 239 and 257

*Item	Part No.	DESCRIPTION
L1, T1	4XT-432	Antenna coil with adjustable 455 kc wave-trap
T4	4XT-458	Oscillator coil (see production change no. 2)
T2	4XT-434	Double-tuned 455 kc first i-f transformer
T3	4XT-435	Double-tuned 455 kc second i-f transformer
R1	2CR-193	30,000 ohm 1/2 watt carbon resistor
R2	KR-53	50,000 ohm 1/4 watt carbon resistor
R3	3FR-293	140 ohm 1/2 watt wire-wound resistor
R4	KR-57	1 megohm 1/4 watt carbon resistor
R5	4XR-335	Volume control .25 megohm with line switch
R6	4XR-327	15 megohm 1/4 watt carbon resistor
R7	KR-55	250,000 ohm 1/4 watt carbon resistor
R8	KR-56	500,000 ohm 1/4 watt carbon resistor
R9, R10	4XW-112	Resistance line cord with pilot light ballast section. R9—150 ohms; R10—40 ohms
R14	4XR-334	2,500 ohm 1 watt carbon resistor
R15	4ZR-325	175 ohm 1 watt metallized resistor
C1, C2	4XC-391A	Two-gang variable condenser
C3	4XC-401	0.00055 mf mica condenser
†C4		Trimmer, part of wave-trap assembly.
†C5, C11		Trimmers, part of variable condenser.
†C6, C7, C8, C9		Trimmers, part of i-f transformers.
C10	BC-12	0.05 mf, 200 volt tubular condenser
C12	4XC-393A	0.00006 mf mica condenser
C13	AC-6	0.1 mf, 200 volt tubular condenser
C14	LC-64	0.05 mf, 400 volt tubular condenser
C15, C18	4XC-394A	0.00022 mf mica condenser
C16	3HC-274	0.002 mf, 600 volt tubular condenser
C17	LC-65	0.02 mf, 400 volt tubular condenser
C19	3FC-336	0.025 mf, 400 volt tubular condenser
C20, C21	4HC-348B	Dual 20 mf, 150 volt dry electrolytic condenser
C23	4XC-404	20 mf, 125 volt dry electrolytic condenser
	4XS-324	4" dynamic speaker (for 211, 212, 217, 235, 237, 238, 239 and 257)
	4PS-303A	6" permanent magnet dynamic speaker (for 240 cabinet)
	4BL-94	Pilot light, 6.3 volt, .25 amp., Mazda No. 44