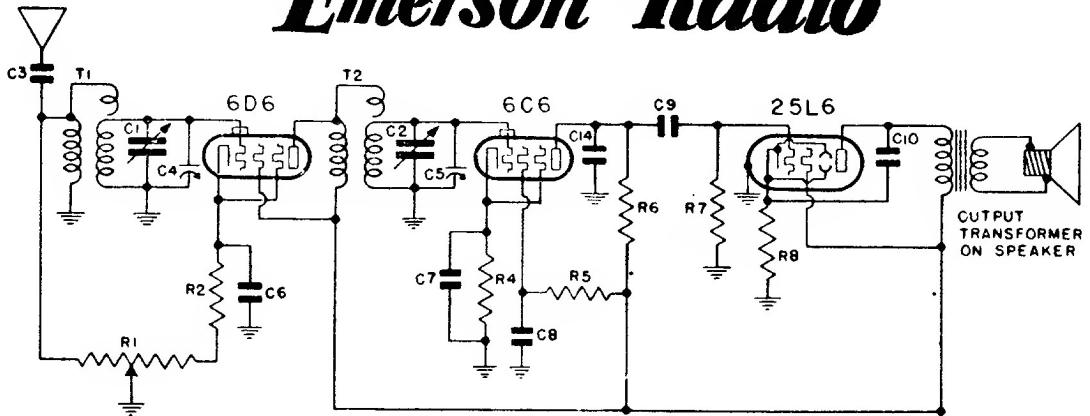
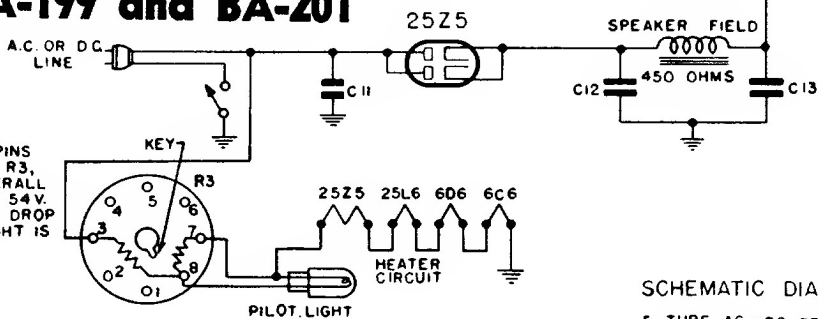


Emerson Radio



MODELS BA-199 and BA-201



VIEW LOOKING AT PINS OF BALLAST TUBE R3, WHICH HAS AN OVERALL VOLTAGE DROP OF 54 V. AT 3AMP VOLTAGE DROP ACROSS PILOT LIGHT IS 4 VOLTS.

SCHEMATIC DIAGRAM
5 TUBE AC-DC RECEIVER

*Item number locates the article on the schematic diagram.

†These condensers cannot be supplied separately.

‡Note: In replacing the dual 16 mf electrolytic condenser, the green lead should be connected to the rectifier.

PRODUCTION CHANGES

1. Receivers bearing serial numbers below 1496300, C14 was a 0.0001 mf condenser instead of 0.0002.
2. Receivers bearing serial numbers below 1585100, C10 was a 0.03 mf condenser instead of 0.05.

*Item	Part No.	DESCRIPTION
T1	5AT-422	Broadcast antenna coil
T2	5AT-423	Broadcast detector coil
R1	2VR-219D	Volume control—75,000 ohms, with line switch
R2	3CR-294	240 ohm, ½ watt wire-wound resistor
R3	L55-BG	Plug-in ballast tube (Interchangeable with L55-B)
R4	HR-73U	25,000 ohm, ¼ watt carbon resistor
R5	OR-42U	2 megohm, ¼ watt carbon resistor
R6, R7	KR-56U	500,000 ohm, ¼ watt carbon resistor
R8	3QR-297	110 ohm, ½ watt wire-wound resistor
C1, C2	5AC-376	Two-gang variable condenser
C3	NNC-199	.001 mf, 600 volt tubular condenser
†C4, C5		Trimmers, part of variable condenser.
C6, C8	AC-6	.1 mf, 200 volt tubular condenser
C7	5AC-388	.25 mf, 100 volt tubular condenser
C9	LC-65	.02 mf, 400 volt tubular condenser
C10	LC-64	.05 mf, 400 volt tubular condenser. (See production change No. 2)
C11	EBC-132	.1 mf, 400 volt tubular condenser
‡C12, C13	4DC-345A	Dual 16 mf, 100 volt dry electrolytic condenser. (See note below.)
C14	5AC-384	.0002 mf, 600 volt tubular condenser. (See production change No. 1)
	3TS-312	5" dynamic speaker
	XL-9	Pilot light, 6.3 volt, .25 amp., Mazda No. 46
	5AZ-745	Condenser pulley
	5AZ-746	Pointer pulley
	5AZ-747	Dial pointer
	4YZ-772	Drive cord
	3RZ-519	Drive cord spring
	5AZ-792	Dial face
	5AZ-779A	Dial crystal for Model BA-199
	5AZ-794	Dial crystal for Model BA-201