

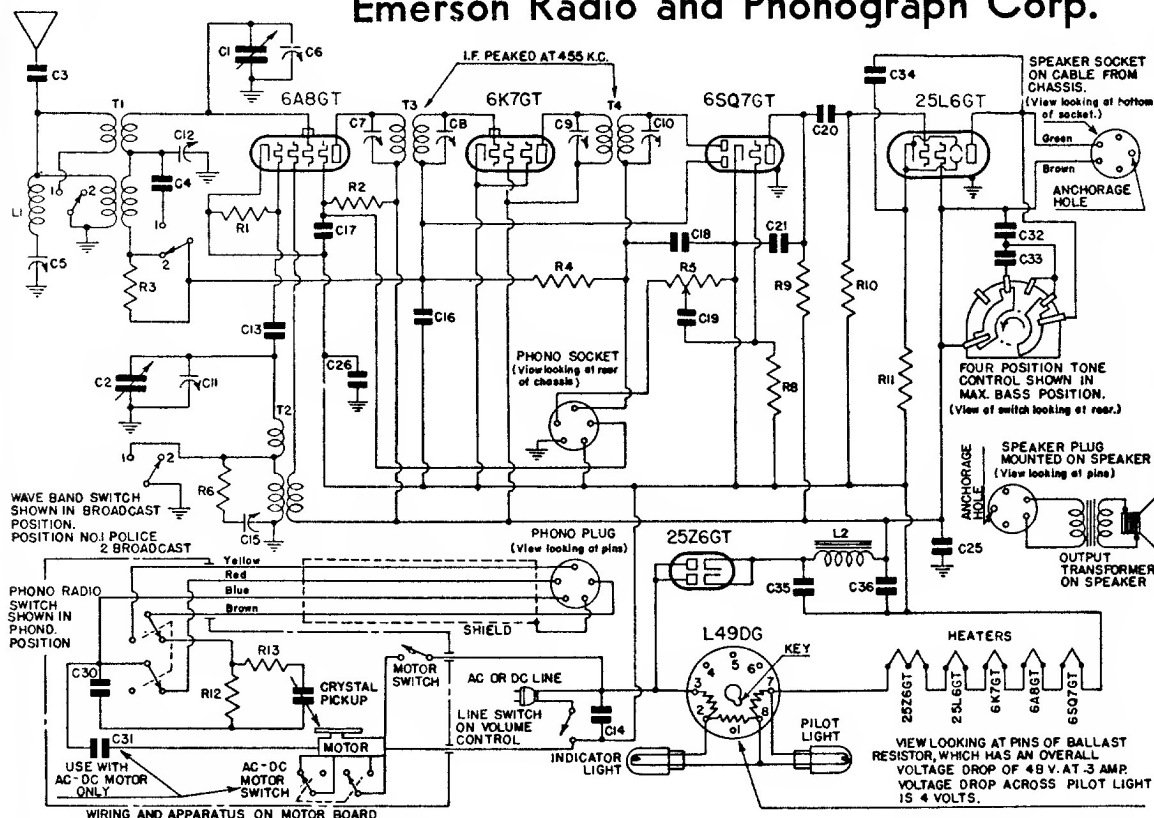
MODEL CG-293 (For A.C. Operation Only)

MODEL CG1-293 (For A.C. or D.C. Operation)

MODEL CG-294 (A.C. Automatic Record Changer)

MODEL CG1-294 (A.C.-D.C. Automatic Record Changer)

Emerson Radio and Phonograph Corp.



T1, L1	6GT-468	Two-band antenna coil with 455 kc wave-trap
T2	6GT-469	Two-band oscillator coil
T3	4XT-434CU	455 kc first i-f transformer
T4	4XT-435H	455 kc second i-f transformer
R1, R2	KR-53	50,000 ohm 1/4 watt carbon resistor
R3, R6	PR-79	1,000 ohm 1/4 watt carbon resistor
R4	NNR-220	3 megohm 1/4 watt carbon resistor (see production change no. 2)
R5	6SR-362	Volume control—250,000 ohms with line switch (see production change no. 2)
R8	4XR-327	15 megohm 1/4 watt carbon resistor
R9, R10	KR-56	500,000 ohm 1/4 watt carbon resistor (see production change no. 1)
R11	3FR-293	140 ohm 1/2 watt wire-wound resistor
R12	KR-55	250,000 ohm 1/4 watt carbon resistor
R13	KR-57	1 megohm 1/4 watt carbon resistor
	L-49DG	Plug-in type ballast resistor. Interchangeable with L49D
C1, C2	6GC-428	Two-gang variable condenser
C3	NNC-199	0.001 mf, 600 volt tubular condenser
C4	6GC-429	0.00064 mf mica condenser
C12, C15	6GC-430	Dual trimmer assembly
C13	IIC-133A	0.000025 mf mica condenser
C14	LC-64	0.05 mf, 400 volt tubular condenser
C16, C17	} BC-12	0.05 mf, 200 volt tubular condenser
C25, C30		0.0002 mf, 600 volt tubular or mica condenser
C18, C21	5AC-384	0.0002 mf, 600 volt tubular condenser
C19	3HC-274	0.002 mf, 600 volt tubular condenser
C20	LC-65	0.02 mf, 400 volt tubular condenser
C26	3CC-302	0.15 mf, 200 volt tubular condenser
C31	3LC-297A	0.01 mf, 400 volt molded condenser (for a.c.-d.c. motors only)
C32, C33	ZZC-211	0.03 mf, 200 volt tubular condenser
C34	XXC-207	0.005 mf, 400 volt tubular condenser
C35, C36	6QC-437	Multiple 20 and 40 mf, 150 volt dry electrolytic condenser.
		C35—20 mf C36—40 mf