

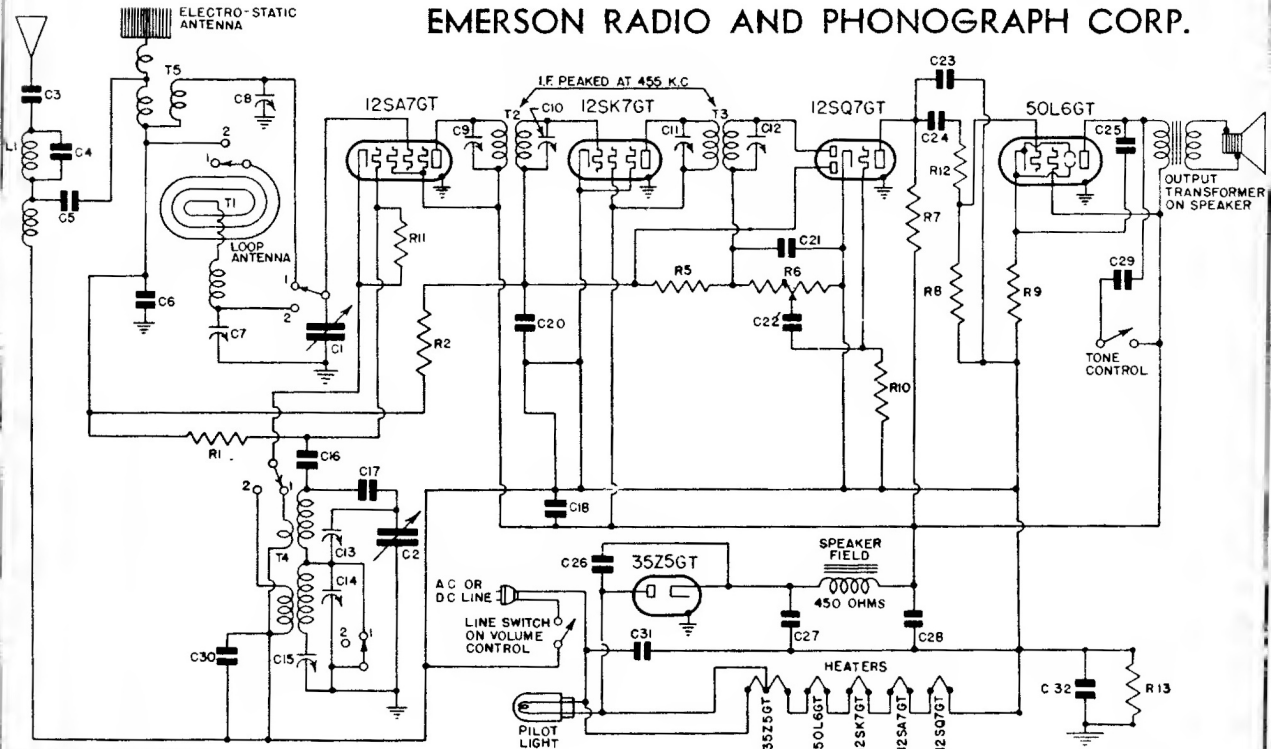
**MODELS: DR-343, DR-348, DR-350
and DR-352**

**MODELS: DR1-343, DR1-348 and
DR1-352**

CHASSIS MODEL: DR

*Item	Part No.	DESCRIPTION	
L1	7RT-531A	Antenna choke and 455 kc wave-trap.	.85
T1	7RW-232	Loop antenna assembly.	1.60
T2	7QT-548A	Double-tuned 455 kc first i-f transformer.	1.00
T3	7QT-544	Double-tuned 455 kc second i-f transformer.	.95
T4	7RT-529A	Two-band oscillator coil.	.65
T5	7RT-530	Short-wave antenna coil.	.45
R1, R10	4XR-327	15 megohm 1/4 watt carbon resistor.	.16
R2, R13	1R-61U	200,000 ohm 1/4 watt carbon resistor.	.16
R7, R8	KR-56	500,000 ohm 1/4 watt carbon resistor.	.16
R5	NNR-220U	3 megohm 1/4 watt carbon resistor.	.16
R6	7BR-363C	Volume control .5 megohm with line switch.	.85
R9	3FR-293	140 ohm, 1/4 watt wire-wound resistor.	.16
R11	LR-60	20,000 ohm 1/4 watt carbon resistor.	.16
R12	KR-53	50,000 ohm 1/4 watt carbon resistor.	.16
C1, C2	7RC-464	Two-gang variable condenser.	2.40
C3	HC-34	0.006 mf, 600 volt tubular condenser.	.20
C4		0.001 mf. part of L1, wave-trap assembly.	.20
C5, C18	FC-29	0.02 mf, 200 volt tubular condenser (see production change no. 1).	.20
C6	ZC-253	0.0025 mf mica condenser.	.20
C7, C8	7RC-465	Dual trimmer assembly.	.30
C9, C10, C11, C12		Trimmers, part of i-f transformers.	
C13, C14	7RC-466	Dual trimmer assembly.	.30
C15	2NC-231D	Single adjustable padding condenser.	.30
C16	5LC-410A	0.00011 mf mica condenser.	.20
C17	7RC-479	0.0016 mf mica condenser.	.20
C20, C29	BC-12	0.05 mf, 200 volt tubular condenser.	.20
C21, C23	5AC-384	0.0002 mf, 600 volt tubular or mica condenser.	.20
C22	3HC-274	0.002 mf, 600 volt tubular condenser.	.20
C24	LC-65	0.02 mf, 400 volt tubular condenser.	.20
C25	EC-23	0.03 mf, 400 volt tubular condenser.	.20
C26	TTC-177	0.01 mf, 600 volt tubular condenser.	.20
C27, C28	6QC-437A	Multiple dry electrolytic condenser, 150 volt. C27—20 mf; C28—40 mf.	.95
C30	KC-38	0.01 mf, 400 volt tubular condenser.	.20
C31	LC-64	0.05 mf, 400 volt tubular condenser.	.20
C32	2CC-208	0.2 mf, 200 volt tubular condenser.	.20

EMERSON RADIO AND PHONOGRAPH CORP.



WAVE BAND SWITCH SHOWN IN SHORT WAVE POSITION.
POSITION NO.1 SHORT WAVE
NO.2 BROADCAST

ON MODEL DR - OMIT PARTS R13 AND C32 AND GROUND B- TO CHASSIS.