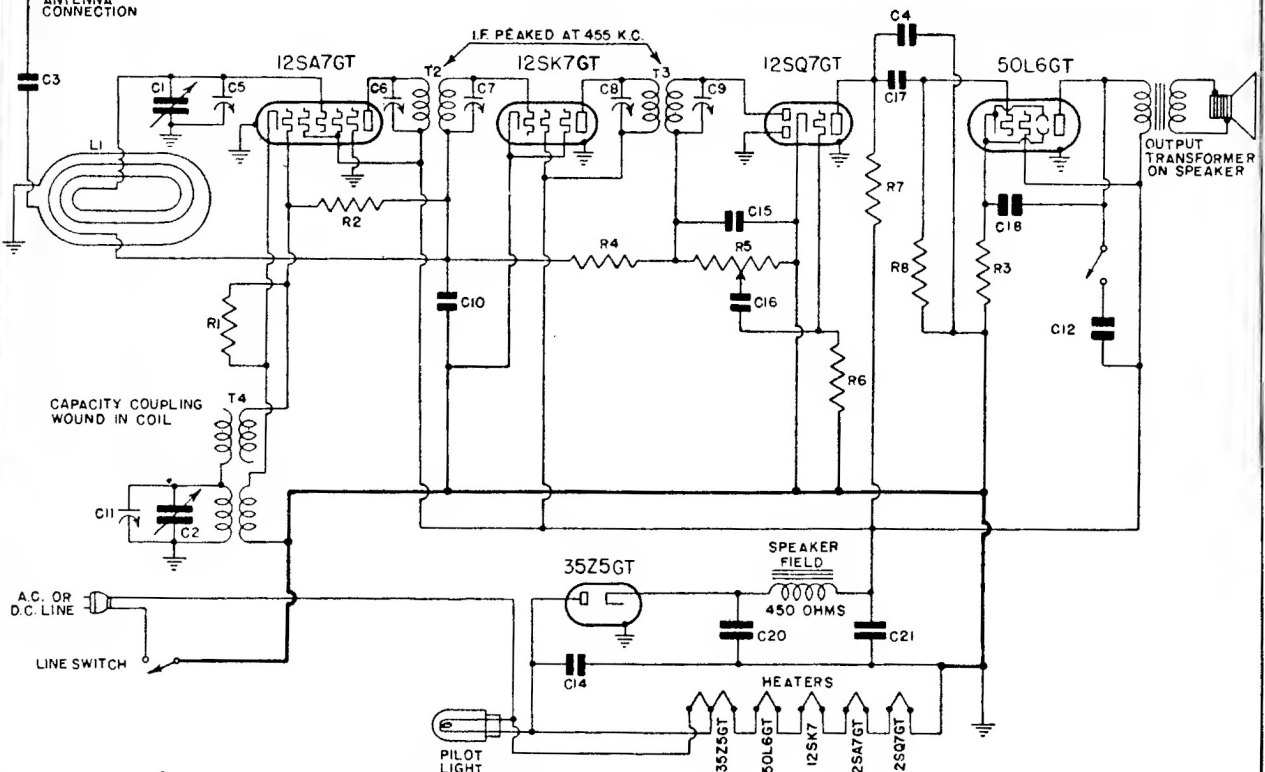


EMERSON RADIO AND PHONOGRAPH CORPORATION



R1	LR-60	20,000 ohm ¼ watt carbon resistor
R2, R6	4XR-327	15 megohm ¼ watt carbon resistor
R3	3FR-293	140 ohm ½ watt wire-wound resistor
R4	NNR-220	3 megohm ¼ watt carbon resistor
R5	9PR-447	Volume control .5 megohm
R7, R8	KR-56	500,000 ohm ¼ watt carbon resistor
C1, C2	9PC-533	Two-gang variable condenser
C3, C16	3HC-274	0.002 mf, 600 volt tubular condenser.
C4	5AC-384	0.0002 mf, 600 volt tubular condenser
C5, C11		Trimmers, part of variable condenser.
C6, C7, C8, C9		Trimmers, part of i-f transformers.
C10	AC-6	0.1 mf, 200 volt tubular condenser
C12	9PC-544	0.04 mf, 200 volt tubular condenser

Emerson Radio

**Models FP-421
FP-422**

VOLTAGE ANALYSIS

Voltage at 35Z5 cathode—120 volts.
Voltage across speaker field—32 volts.
Voltage across pilot light—4.5 volts.

Tube	Plate	Screen	Cathode	Fil.
12SA7GT	88	88	0	12
12SK7GT	88	88	0	12
12SQ7GT	30	—	0	12
50L6GT	82	88	5.6	50