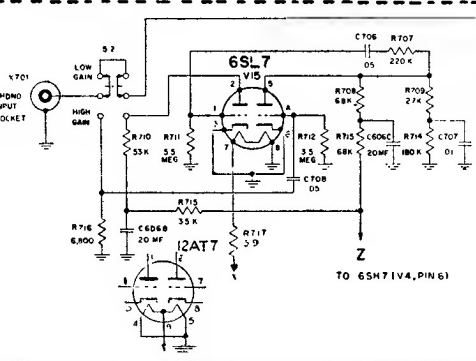


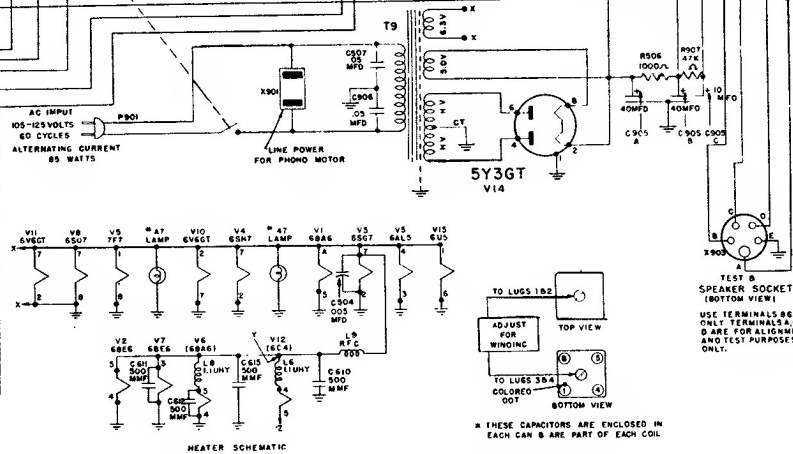
CIRCUIT DIAGRAM
AM-FM RADIO RECEIVER
MODEL NO. 511



BAND SWITCH SHOWN IN POSITION NO. 3
(REAR VIEW)

BAND SWITCH POSITIONS
1-PHONO
2-F.M.
3-STANDARD BROADCAST

The Tuning Ranges are:
AM 525 kc to 1720 kc
FM 88 mc to 108 mc



Espey Manufacturing Co.
MODEL 511

AM-FM RECEIVER

Newer Model 511-C contains a pre-amplifier circuit shown separately at left, bottom of page; and the tuning-eye tube 6U5 is omitted.

MANUAL OF 1952 MOST-OFTEN-NEEDED RADIO DIAGRAMS

Espey Mfg. Co.

Model 511

TUNING
(STATION SELECTOR)

BAND
CHANGE
SWITCH

BASS
CONTROL

VOLUME
CONTROL

ON-OFF SWITCH
& TREBLE CONTROL

