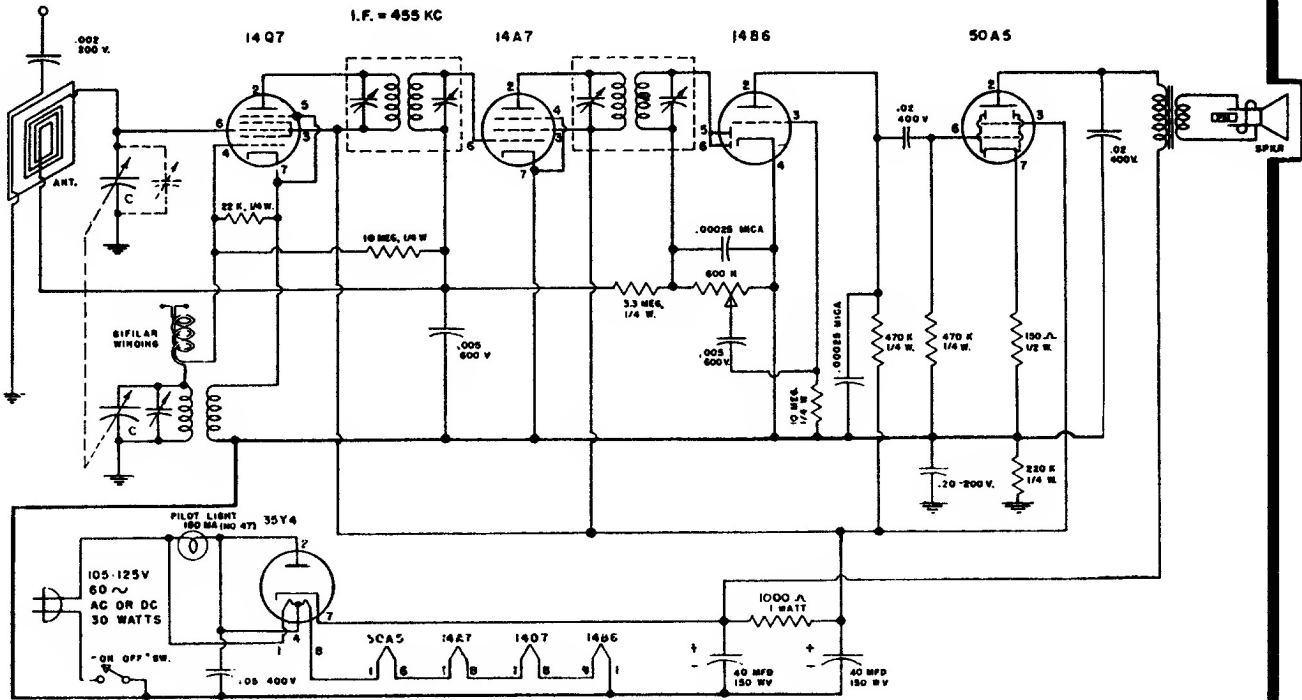
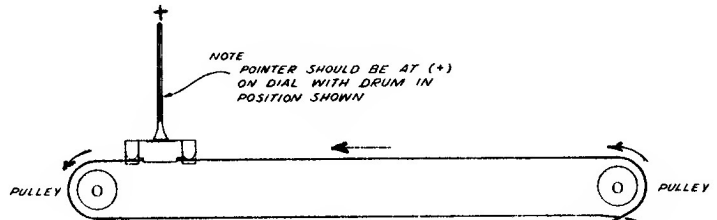
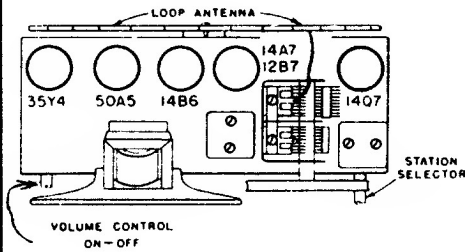


Espey Manufacturing Company, Inc.

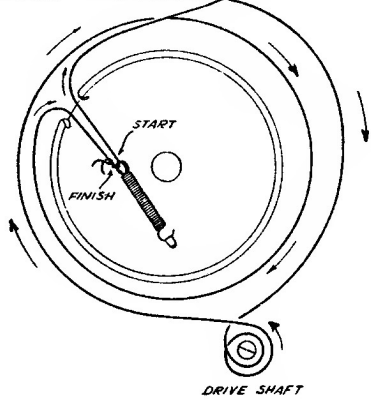


Chassis Model Fj-97 is used in the following complete set Model Nos.:

651	6521	6514	6531
652	6522	6516	6532
653	6511	6520	6533



DRAWING SHOWS POSITION OF DIAL DRUM WHEN CONDENSERS ARE FULLY MESSED.
ARROWS SHOW DIRECTION OF STRING WINDING.



Alignment Procedure

Steps	Connect output of oscillator to	Tune osc. to	Tune radio dial to	Adjust the following for max. peak output
1.	Tuning condenser stator (ant.) in series with .01 mfd.	455	Quiet point at high frequency end of dial.	1st and 2nd I. F. Transformers
2.	Antenna term. of Ant. loop in series with 100 mmf.	1720	Full clockwise (out of mesh)	Osc. trimmer
3.	Antenna term. of Ant. loop in series 100 mmf.	1500	1500	Ant. trimmer

Output meter is connected across voice coil. Receiver volume is turned to maximum.