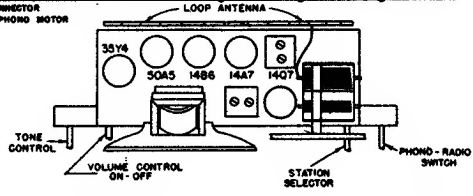


NOTE: C₁₅ USED ON MODEL 6547 ONLY.

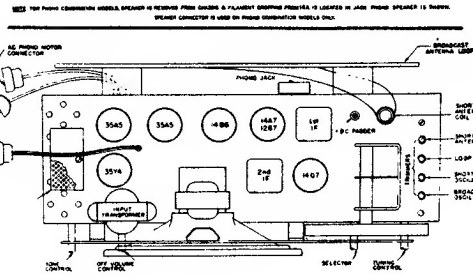
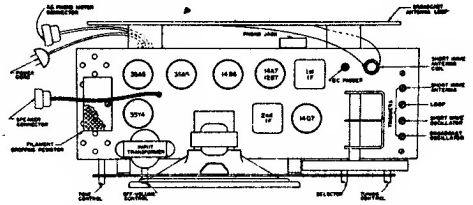
GROUND TO CHASSIS FRAME

TUBE COMPLEMENT

TUBE	LOCTAL	OCTAL	MINIATURE
V ₁	14Q7		12BE6
V ₂	14A7		12BA6
V ₃	14B6		12AT6
V ₄	50A5	50 L 6	50B 5
V ₅	35Y4		35W 4

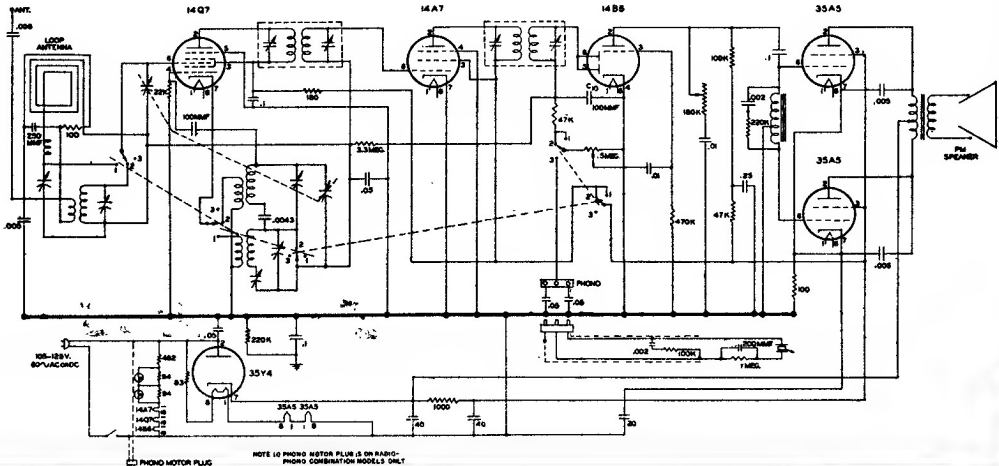


Espey Mfg. Co.
Models
20516A,
and 6547.



Steps	Connect output of Generator to	Tune Osc. to	Band Switch on	Tune Radio Dial to	Adjust the following Max. Peak Output
1	Tuning condenser stator (ant.) in series with .01 mfd	455 Kc	Bcst	Quiet point on high frequency end of dial	1st and 2nd IF transformers
2	Antenna term. of Ant. loop in series with 100 mmf.	1660 Kc	Bcst	Full clockwise (out of mesh)	B.C. Osc. Trimmer
3	Same	1500 Kc	Bcst	Signal (1500 Kc)	B.C. loop trimmer
4	Same	600 Kc	Bcst	600 Kc	Osc. padder (rock in)
5	Same	1660 Kc	Bcst	Full clockwise (out of mesh)	B.C. Osc. Trimmer
6	Ant. term. in series with 100 mmf and 400 ohm resistor	18.6 Mc	S.W.	Full clockwise (out of mesh)	S.W. Osc. Trimmer
7	Same	18.0 Mc	S.W.	Signal (18.0 Mc)	S.W. Ant. Trimmer

Espey Mfg. Co.
Models
20626-A,
and 97-A.



NOTE: PHONO MOTOR PLUG IS ON RADIO. PHONO CONNECTION MODELS ONLY.