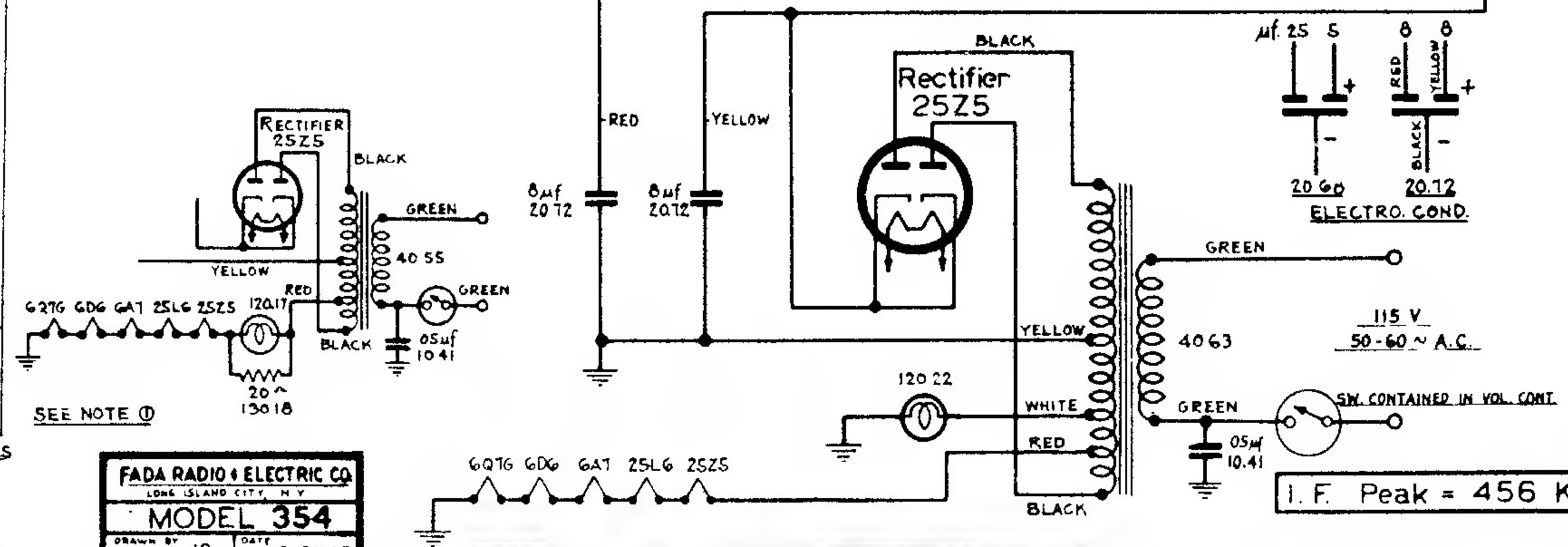


NOTE ① POWER TRANSFORMER AND CIRCUIT USED IN EARLY MODELS

Note
 = chassis
 Band sw. shown in B.C. pos.
 M = thousand

FADA RADIO & ELECTRIC CO.
 LONG ISLAND CITY, N.Y.
MODEL 354
 DRAWN BY: [Signature] DATE: 8-31-37
 CHECKED BY: RHF 7/10/37 APPROVED BY: FKH



I.F. Peak = 456 Kc.

FADA Radio

30-20 Thomson Ave.
 Long Island City
 New York