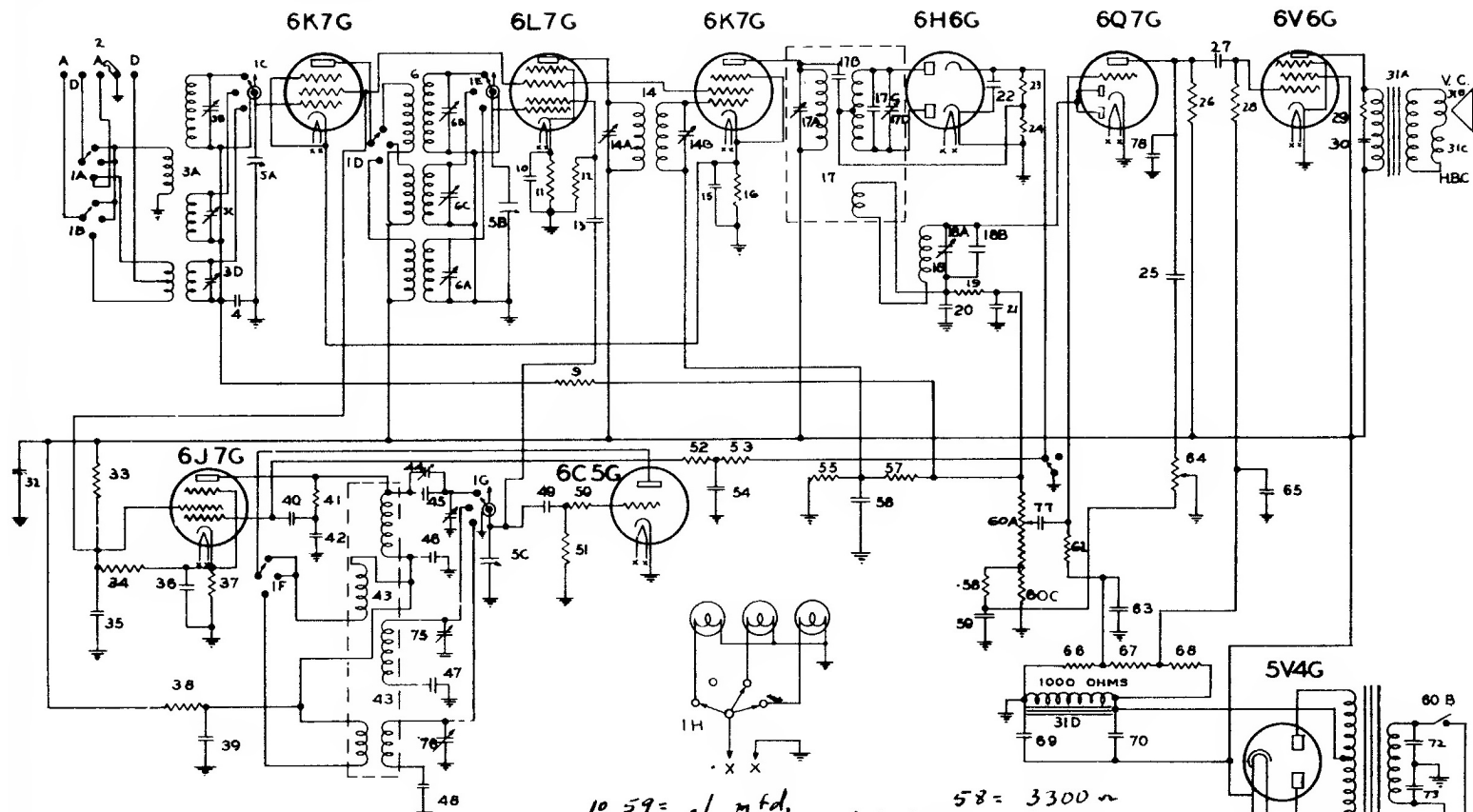


Fairbanks-Morse Radio, Chassis Model 9A



- | | | | |
|--------------------|------------------------|------------------------|-------------------------------------|
| 70 = 16. mfd. | 45 = 490 mmfd. | 10, 59 = .01 mfd. | 58 = 3300 Ω |
| 69 = 30. " | 48 = 4000 " | 32, 35, 46 = .01 " | 2, 51, 41, 19, 12 = 47,000 Ω |
| 39 = 8. " | 72-73 = .01 mfd. | 15, 63, 65 = .25 " | 26, 28, 67 = 220 M Ω |
| 42 = 20 mmfd. | 22 = .01 " | 29, 33 = 10 M Ω | 62 = 470 M Ω |
| 13, 47 = 50 " | 30, 25, 27, 17 = .02 " | 34 = 22 M Ω | 9, 52, 55, 57 = 1 megohm |
| 20, 21, 40 = 100 " | 47, 54, 56, 36 = .05 " | 50 = 100 Ω | 23, 24, 68 = 1.5 " |
| 78 = 500 " | | 11, 16 = 330 | 53 = 3.3 " |
| | | 38 = 2,200 Ω | 37 = 850 ohms |

I.F. 456 KC.