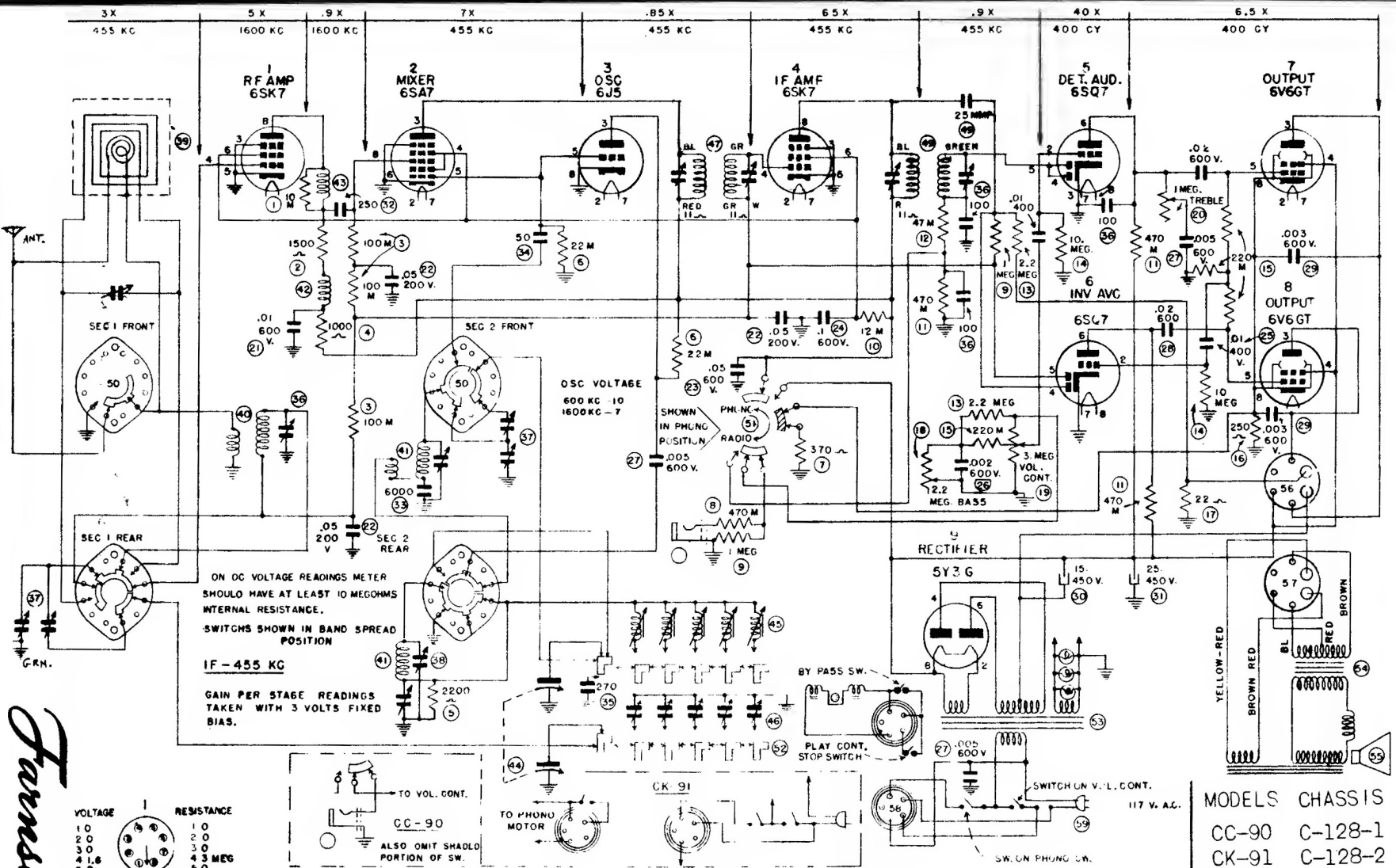


Farnsworth



ON DC VOLTAGE READINGS METER SHOULD HAVE AT LEAST 10 MEGOHMS INTERNAL RESISTANCE.
SWITCHES SHOWN IN BAND SPREAD POSITION

IF - 455 KC
GAIN PER STAGE READINGS TAKEN WITH 3 VOLTS FIXED BIAS.

SCHEMATIC CC-90, CK-91, CK-92 AND CK-93

VOLTAGE	RESISTANCE
10	10
20	20
31.6	4.3 MEG
50	50
6.3	6 INF
7.8 AC	7.2
8.210	8 INF

VOLTAGE	RESISTANCE
10	10
20	20
3.235	3 INF
4.93	4 INF
5.10	5.22 M
6.0	6 OPEN
7.8 AC	7.2
8.17	8.4 MEG

VOLTAGE	RESISTANCE
10	10
20	20
3.128	3 INF
4.128	4 INF
5.10	5.22 M
6.0	6 OPEN
7.6.3 AC	7.2
8.0	8.0

VOLTAGE	RESISTANCE
10	10
20	20
3.1.6	3.5 MEG
4.0	4.0
5.0	5.0
6.95	6 INF
7.6.3 AC	7.2
8.235	8 INF

VOLTAGE	RESISTANCE
10	10
2.9	2.10 MEG
3.0	3.0
4.6	4.540 M
5.8	5.540 M
6.80	6 INF
7.0	7.0
8.3	8.2

VOLTAGE	RESISTANCE
10	10
2.7	2.10 MEG
3.0	3.0
4.1.6	4.3.2 MEG
5.1.8	5.2.2 MEG
6.8	6 INF
7.0	7.0
8.3	8.2

VOLTAGE	RESISTANCE
10	10
20	20
3.0	3.228
4.1.6	4.3.2
5.0	5.440 M
6.0	6.0
7.8.3	7.2
8.14	8.250

VOLTAGE	RESISTANCE
10	10
20	20
3.228	3 INF
4.3.2	4 INF
5.0	5.440 M
6.0	6.0
7.6.3	7.2
8.14	8.250

VOLTAGE	RESISTANCE
10	1 OPEN
2.235	2 INF
3.0P	3 OPEN
4.400	4.800
5.0P	5 OPEN
6.800	6.800
7.2	7 OPEN
8.235	8 INF

MODELS	CHASSIS
CC-90	C-128-1
CK-91	C-128-2
CK-92	C-128-3
CK-93	C-128-4