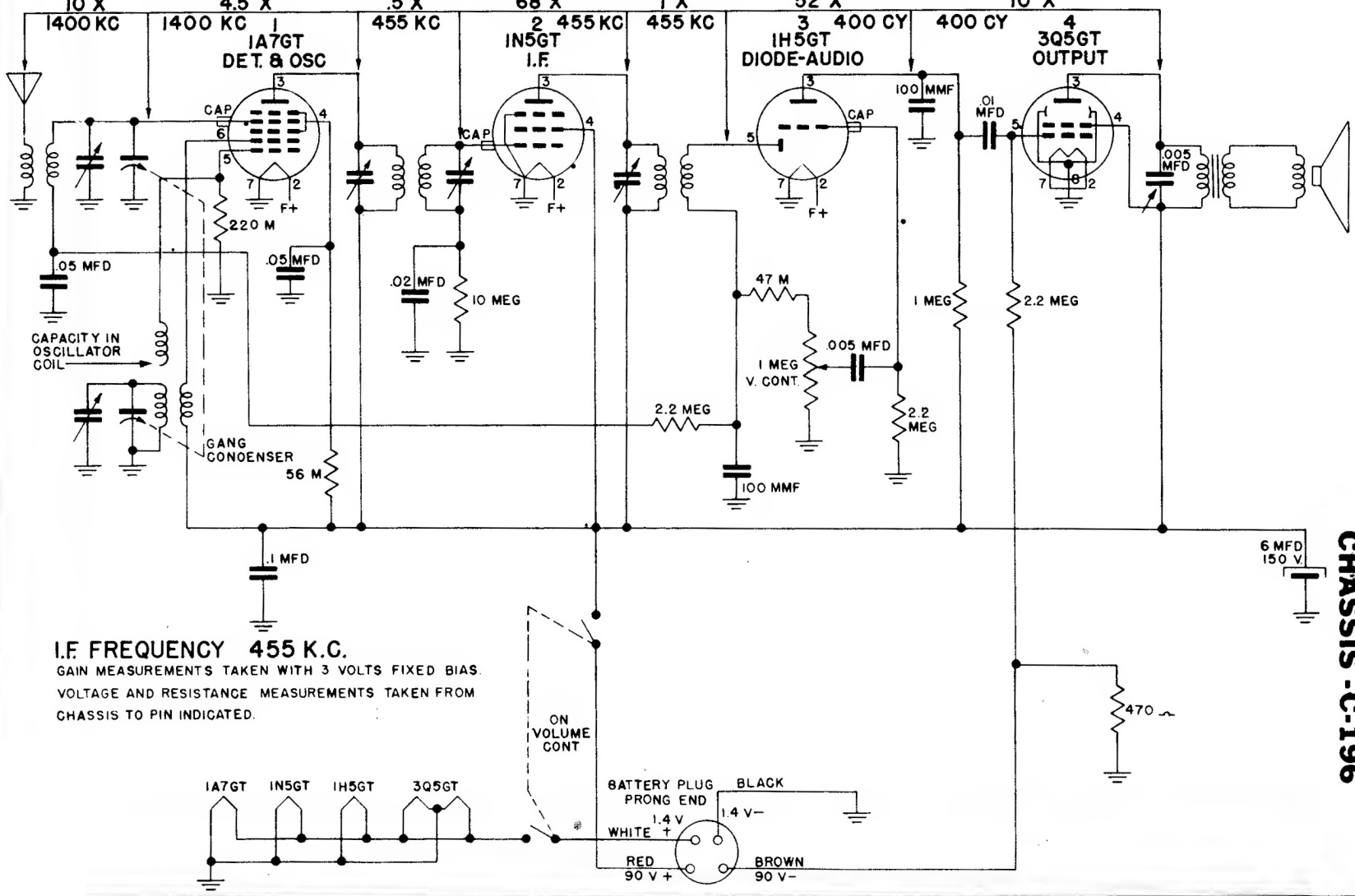


VOLTAGE		RESISTANCE		VOLTAGE		RESISTANCE		VOLTAGE		RESISTANCE	
1	0 +	1	0	1	0 +	1	0	1	0 +	1	0
2	1.5	2	2.5	2	1.5	2	2.5	2	1.5	2	2.5
3	90	3	INF	3	52	3	INF	3	84	3	INF
4	45	4	INF	4	0	4	INF	4	90	4	INF
5	80	5	220 M	5	-2.5 +	5	1 MEG	5	-5.2	5	3 MEG
6	*80	6	INF	6	-2.5 +	6	10 MEG	6	INF	6	500
7	0	7	0	7	0 +	7	0	7	15	7	0
8	0 +	8	INF	8	-1 +	8	2.2 MEG	8	0	8	0



**I.F. FREQUENCY 455 K.C.**  
GAIN MEASUREMENTS TAKEN WITH 3 VOLTS FIXED BIAS.  
VOLTAGE AND RESISTANCE MEASUREMENTS TAKEN FROM CHASSIS TO PIN INDICATED.

