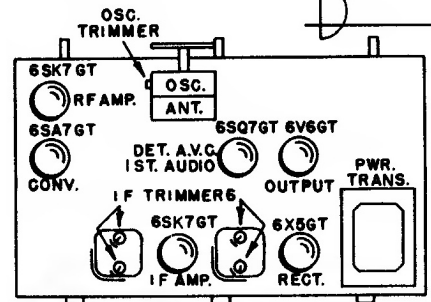
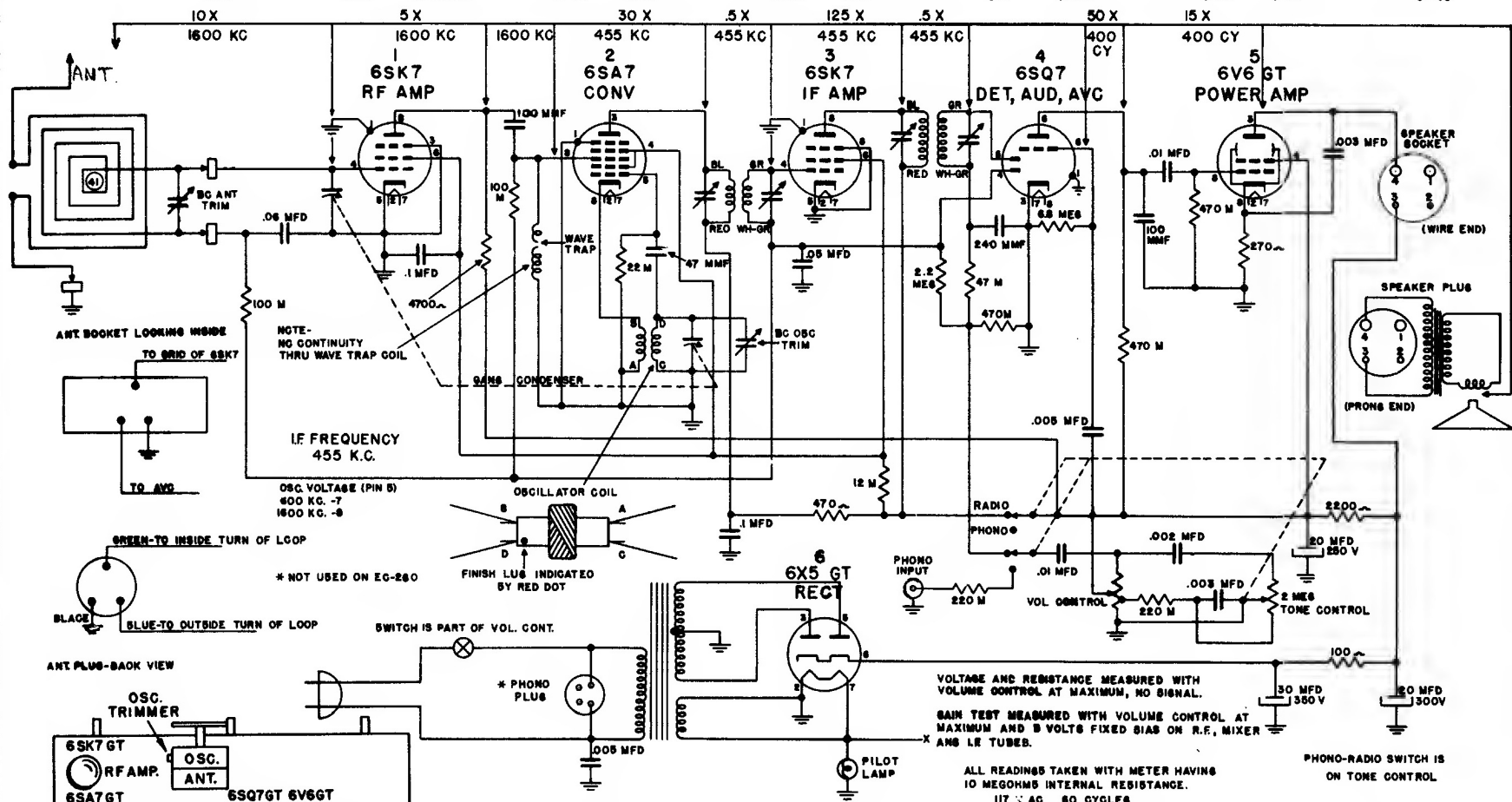


1		2		3		4		5		6	
RESISTANCE	VOLTAGE	RESISTANCE	VOLTAGE	RESISTANCE	VOLTAGE	RESISTANCE	VOLTAGE	RESISTANCE	VOLTAGE	RESISTANCE	VOLTAGE
1 0	1 0	1 0	1 0	1 0	1 0	1 0	1 0	1 0	1 0	1 0	1 0
2 0	2 0	2 0	2 0	2 0	2 0	2 7 MEG	2 0	2 0	2 0	2 0	2 0
3 0	3 0	3 175	3 0	3 0	3 0	3 0	3 0	3 0	3 0	3 160	3 230 AC
4 2.5MEG	4 -1.8	4 INF	4 60	4 2.5MEG	4 -1.5	4 2.5MEG	4 -1.5	4 INF	4 INF	4 170	4 0
5 0	5 0	5 22M	5 -8	5 0	5 0	5 500M	5 -8	5 500M	5 0	5 170	5 30 AC
6 INF	6 82	6 8	6 0	6 INF	6 0	6 INF	6 83	6 NC	6 NC	6 NC	6 0
7 0	7 8AC	7 0	7 8AC	7 0	7 8AC	7 0	7 8AC	7 0	7 0	7 0	7 8AC
8 INF	8 145	8 2.5MEG	8 -1.8	8 INF	8 172	8 0	8 0	8 278	8 6.5	8 INF	8 238



Farnsworth
TELEVISION & RADIO CORPORATION
 MARION, INDIANA

Models: EC-260, EK-262,
 EK-263, EK-264, EK-265
 Chassis: C-152, C-153,
 and C-162