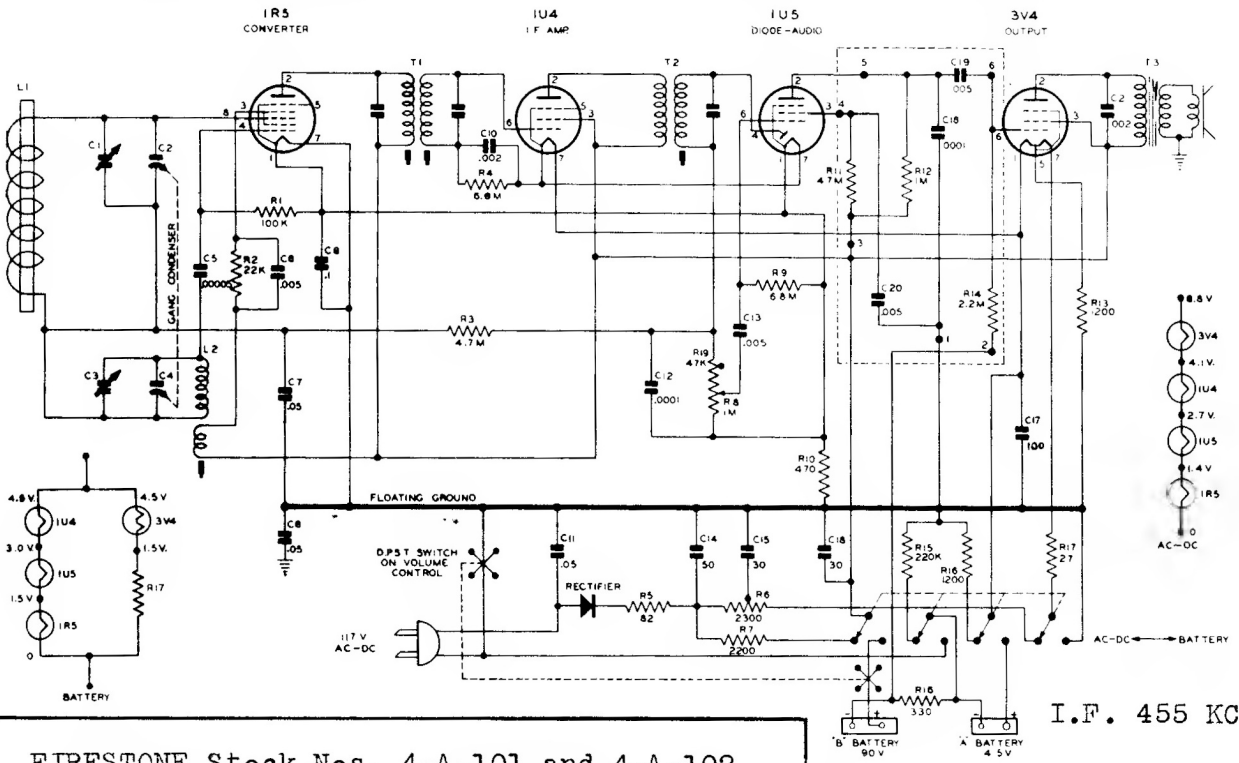
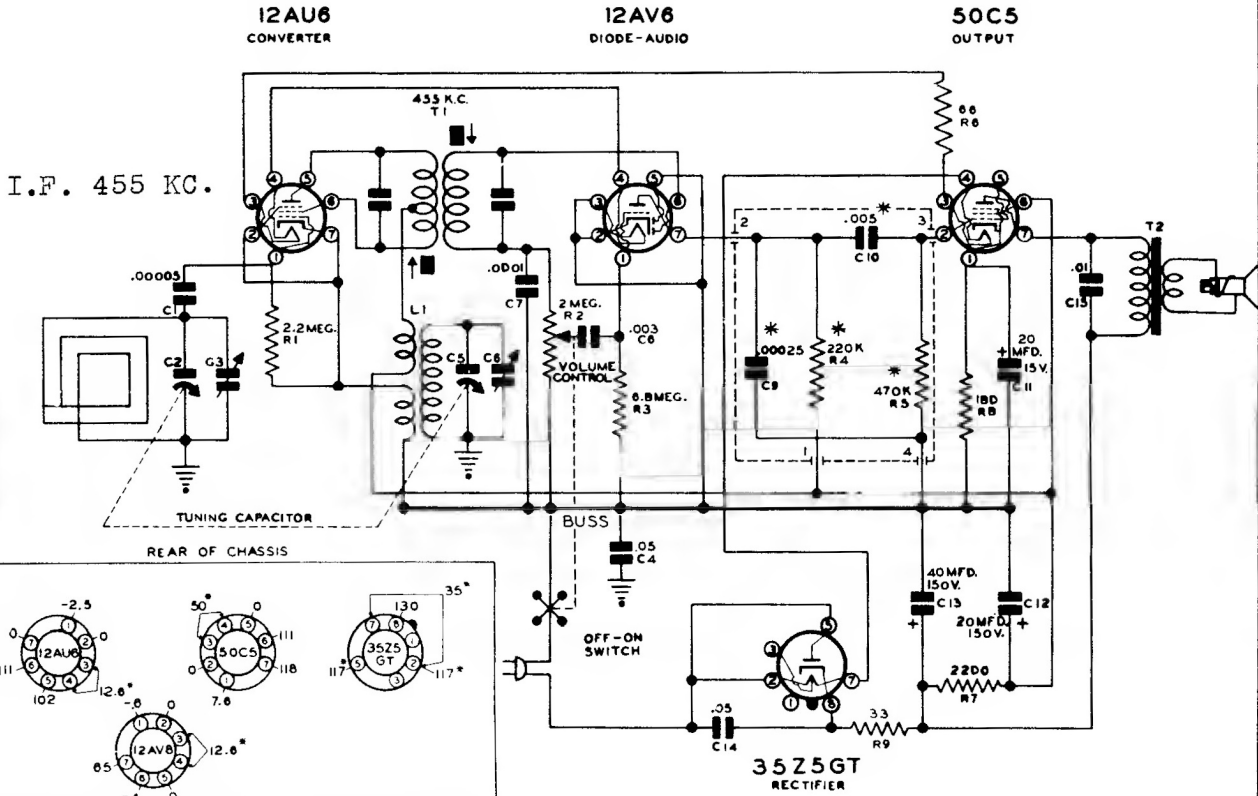


FIRESTONE TIRE & RUBBER CO.

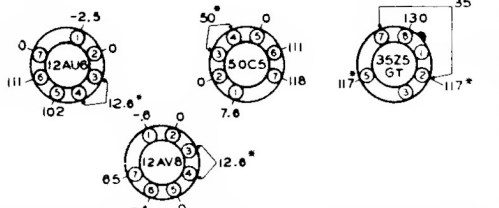
Stock Nos. 4-C-19 and 4-C-20.



FIRESTONE Stock Nos. 4-A-101 and 4-A-102.



I.F. 455 KC.



ALL VOLTAGES EXCEPT HEATERS ARE MEASURED FROM SOCKET CONTACTS TO THE COMMON NEGATIVE WITH A 20000 OHM PER VOLT VOLTMETER. HEATER VOLTAGES ARE MEASURED DIRECTLY ACROSS SOCKET CONTACTS.  
\* A.C. EXCEPT WHEN SET IS USED ON D.C.

VOLTAGE TABLE  
(BOTTOM VIEW OF CHASSIS)

NOTE:  
\* R4, R5, C9 & C10 MAY BE PART NO. N-8215 AUDIO COUPLATE IN SOME RECEIVERS.