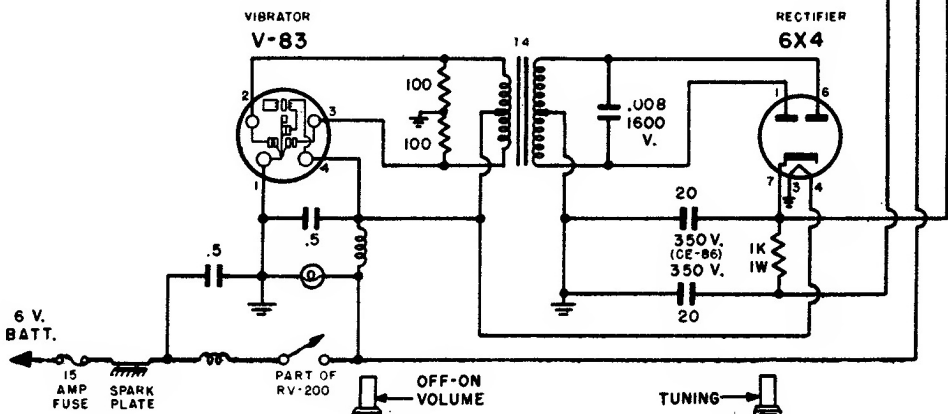
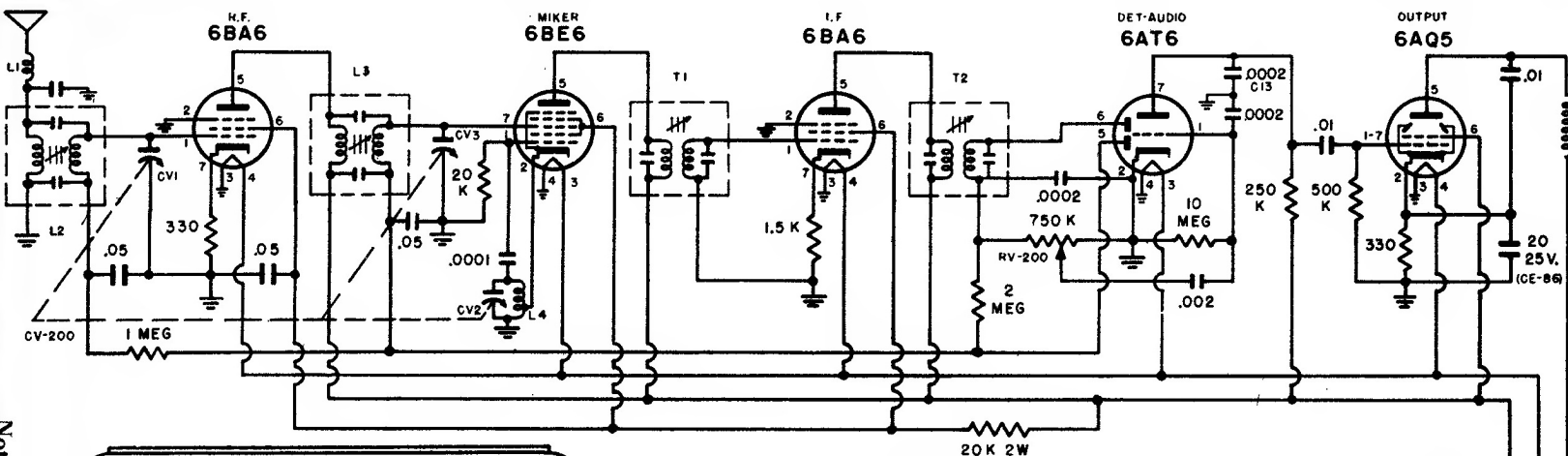


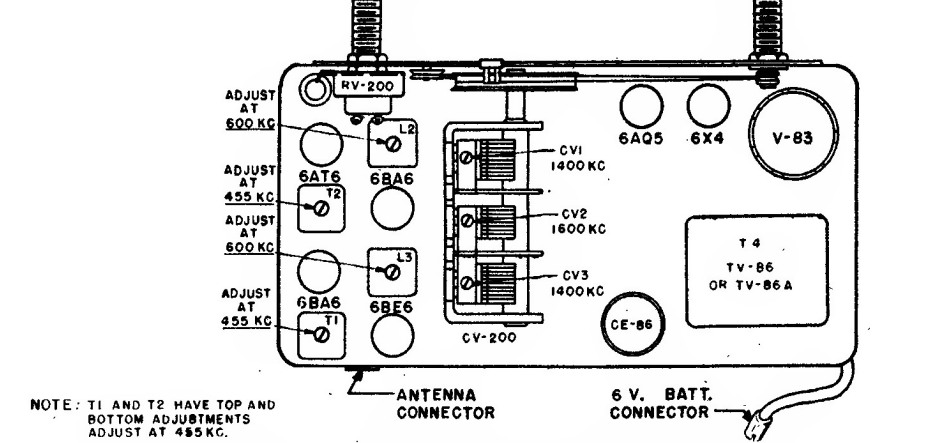
# THE FIRESTONE TIRE & RUBBER CO.

4-B-58 and 4-B-61

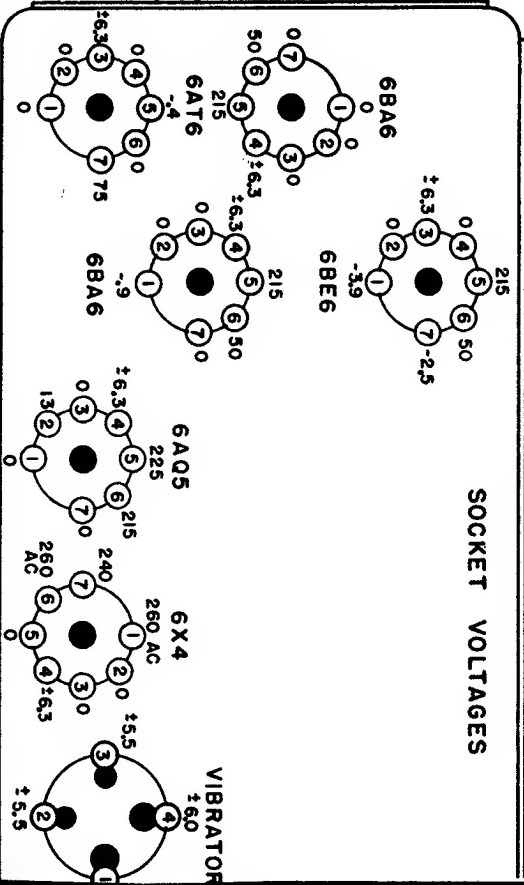
Firestone Auto Radio 4-B-61 (Code 120-1-C351) 1s for 1951 Chevrolet; and 4-B-58 (Code 120-0-D200) 1s for 1949 & 1950 Dodge and Plymouth. Both sets use identical circuit.



BOTTOM VIEW OF CHASSIS



NOTE: T1 AND T2 HAVE TOP AND BOTTOM ADJUSTMENTS ADJUST AT 455 KC.



SOCKET VOLTAGES

FRONT OF CHASSIS

Note: 6AV6 used in place of 6AT6 on some models.