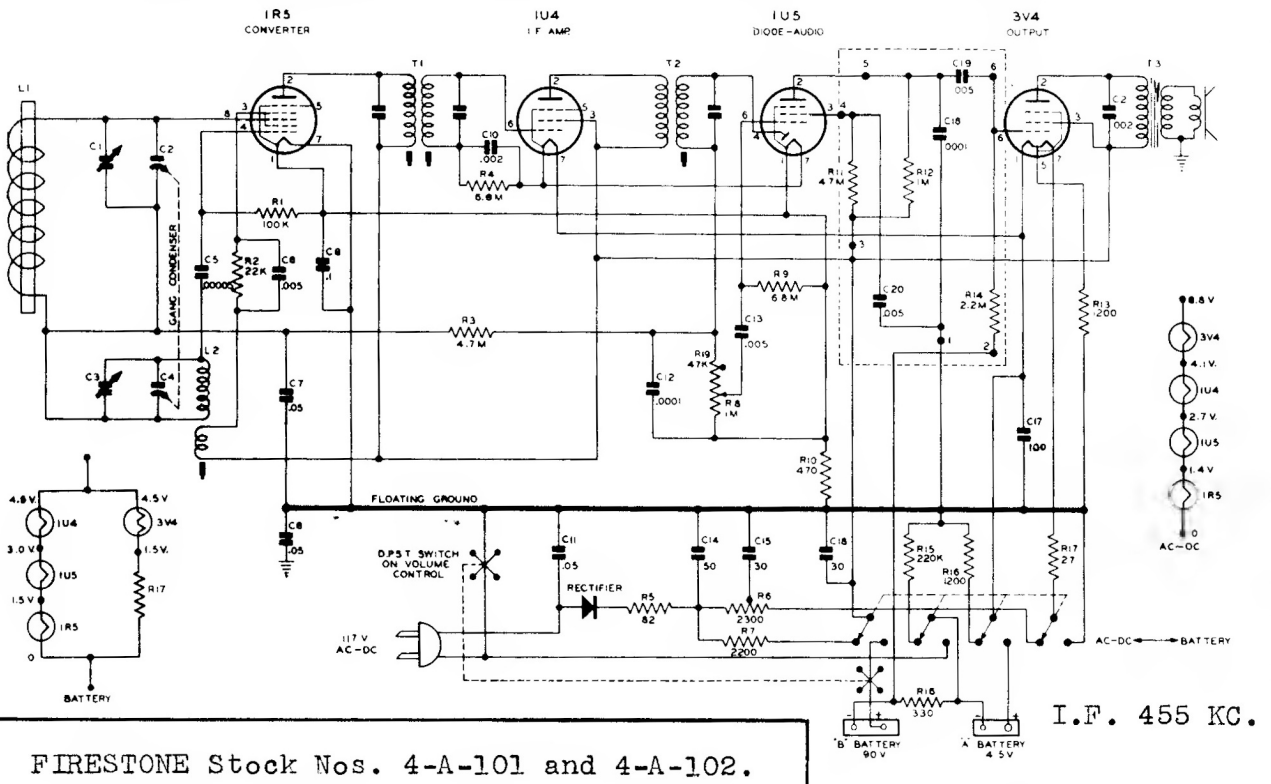
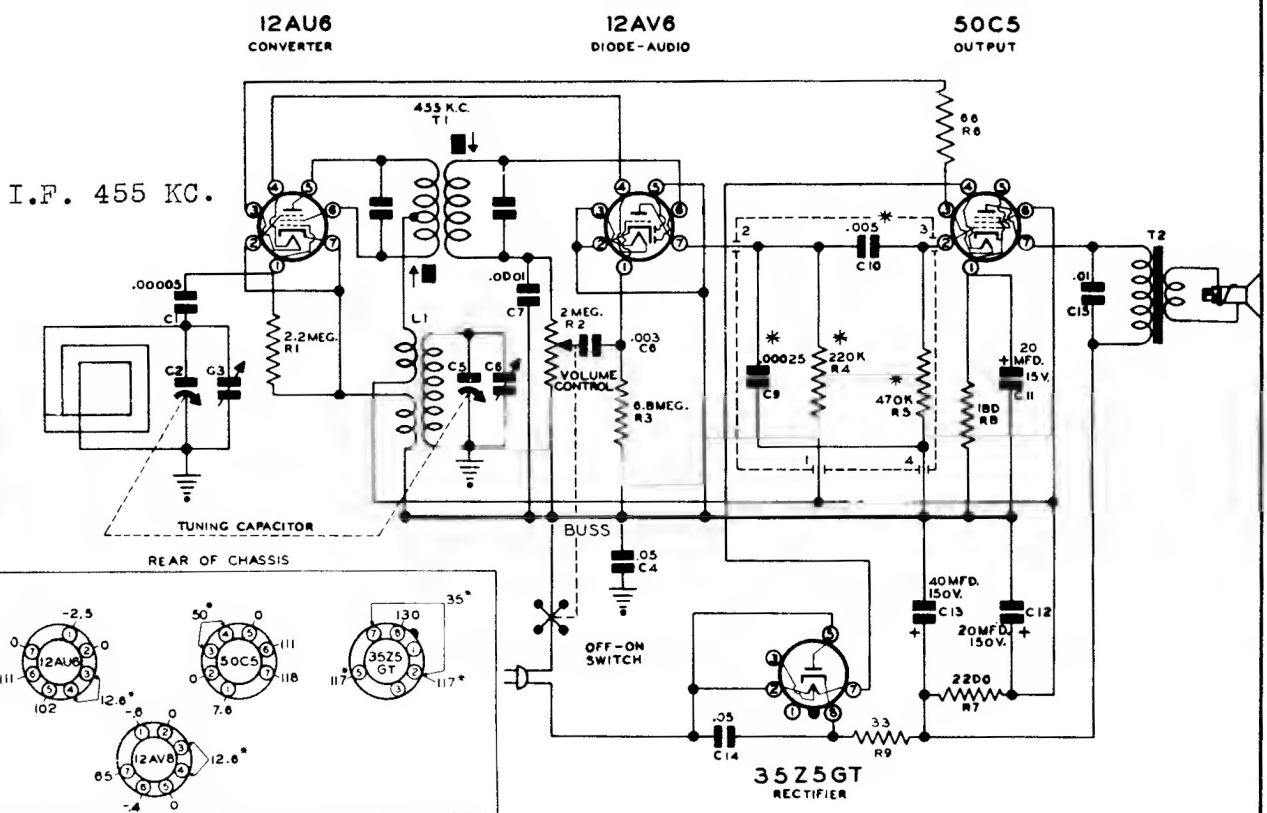


FIRESTONE TIRE & RUBBER CO.

Stock Nos. 4-C-19 and 4-C-20.



FIRESTONE Stock Nos. 4-A-101 and 4-A-102.



I.F. 455 KC.

I.F. 455 KC.

ALL VOLTAGES EXCEPT HEATERS ARE MEASURED FROM SOCKET CONTACTS TO THE COMMON NEGATIVE WITH A 20000 OHM PER VOLT VOLTMETER. HEATER VOLTAGES ARE MEASURED DIRECTLY ACROSS SOCKET CONTACTS.
 * A.C. EXCEPT WHEN SET IS USED ON D.C.

NOTE:
 * R4, R5, C9 & C10 MAY BE PART NO. N-8215 AUDIO COUPLATE IN SOME RECEIVERS.

VOLTAGE TABLE (BOTTOM VIEW OF CHASSIS)

