

ADJUST TOP AND BOTTOM AT 455 KC.

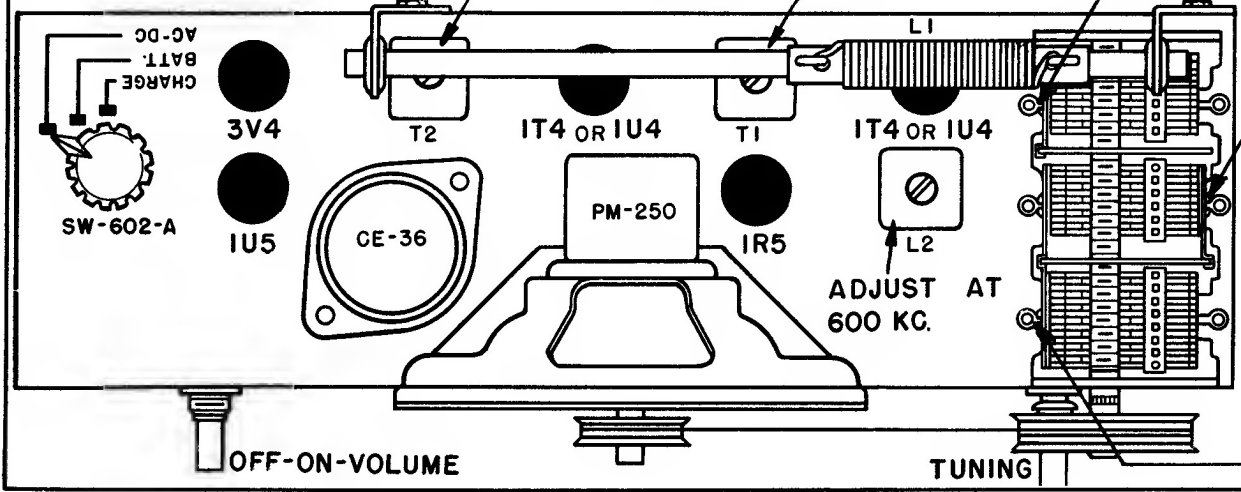
ADJUST TOP AND BOTTOM AT 455 KC.

CV-1 ADJUST AT 1400 KC.

CV-2 ADJUST FOR 1620 KC.

ADJUST AT 600 KC.

CV-3 ADJUST AT 1400 KC.



Power supply ..... 115 to 125 volts AC-DC  
 or 2 45 volt "B" batteries  
 and 2 4 1/2 volt "A" batteries  
 Frequency Range ... 538 - 1620 KC.