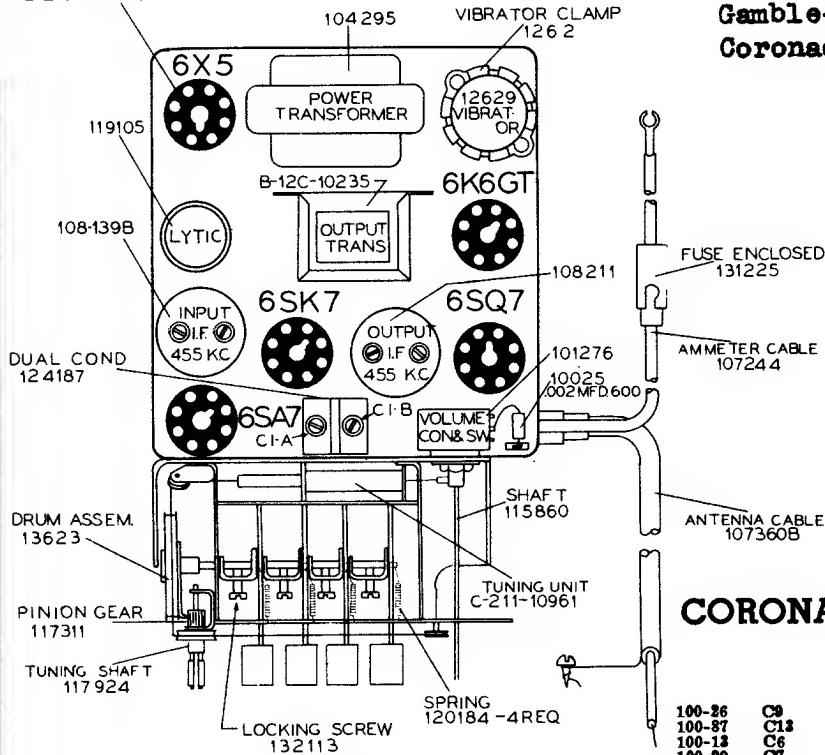
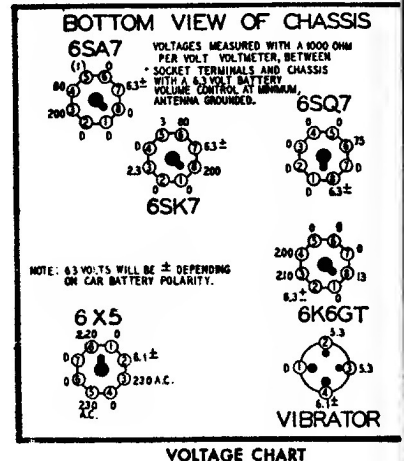


TUBE SOCKET  
121210-5 REQ.



**Gamble-Skogmo, Inc.**  
**Coronado Model 43-5005**



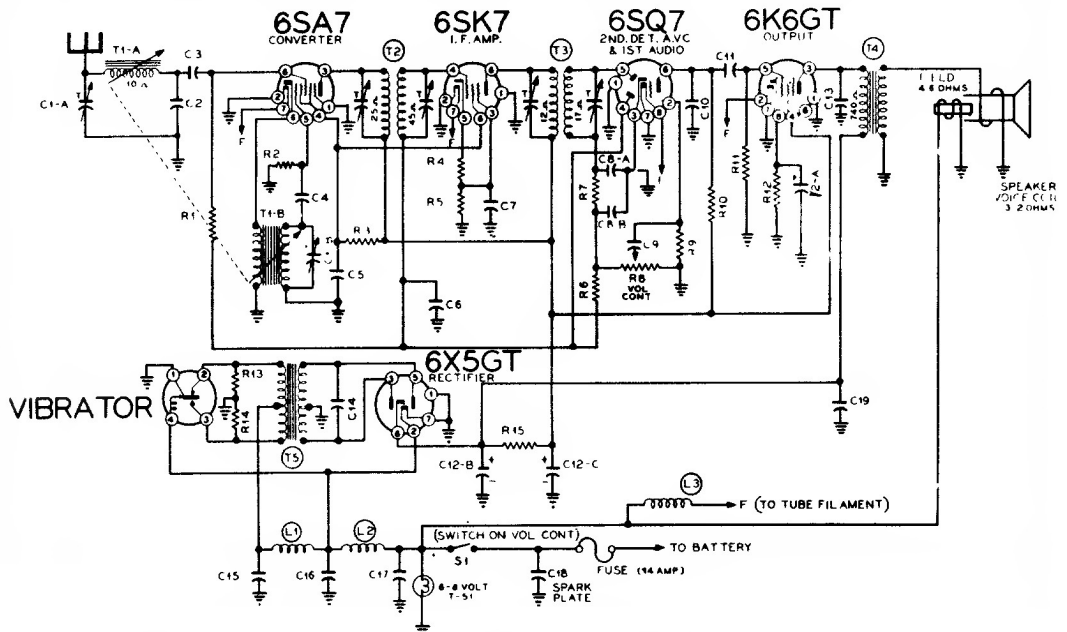
**CORONADO MODEL 43-5005**

**CONDENSERS**

100-26	C9	.03 x 400 Volt Tubular	1
100-87	C12	.01 x 600 Volt Tubular	1
100-13	C6	.05 x 400 Volt Tubular	1
100-20	C7	.1 x 200 Volt Tubular	1
100-9	C5	.05 x 200 Volt Tubular	1
100-125	C14	.0035 x 1600 Volt Tubular	1
100-25	C11	.003 x 600 Volt Tubular	1
100-31	C15, C16, C17	.5 x 120 Volt Oval Type	3
100-81		.5 Mfd. Generator Cond.	1
100-82		.5 Mfd. Ammeter Cond.	1
119-105	C13 A-B-C	Electrolytic Filter Condenser—20 Mfd. x 25 Volt; 15 Mfd. x 350 Volt; 15 Mfd. x 250 Volt	1
124-187	C1-A-B	Ant. and Osc. Dual Trimmer	1
129-161	C8A-B	.0001 Dual Mica—10%	1
129-3	C2, C10	.0005 Mica Type—20%	2
129-188	C8	.00008 Mica Type—3%	1
129-81	C4	.0002 Mica Type—20%	1
129-12	C19	.00025 Mica Type—20%	1
11749B	C18	Spark Plate	1

**RESISTORS**

C-9B1-35	R9	4.7 Megohm, 1/4 Watt—20%	1
C-9B1-27	R10	220K Ohm, 1/4 Watt—20%	1
C-9B1-29	R11	470K Ohm, 1/4 Watt—20%	1
C-9B1-60	R12	680 Ohm, 1/4 Watt—10%	1
C-9B1-34	R6	3.3 Megohm, 1/4 Watt—20%	1
C-9B1-23	R7	47K Ohm, 1/4 Watt—20%	1
C-9B1-31	R1	1 Megohm, 1/4 Watt—20%	1
C-9B1-22	R2	33K Ohm, 1/4 Watt—20%	1
C-9B2-76	R3	15K Ohm, 1/4 Watt—10%	1
C-9B2-64	R15	1500 Ohm, 1 Watt—10%	1
C-9B1-50	R13, R14	100 Ohm, 1/4 Watt—10%	2
C-9B1-52	R4	150 Ohm, 1/4 Watt—10%	1
C-9B1-56	R5	330 Ohm, 1/4 Watt—10%	1



ON SOME SETS R-5 AND C-7 IS ELIMINATED AND THE CATHODE OF THE 6SK7 IS GROUNDED