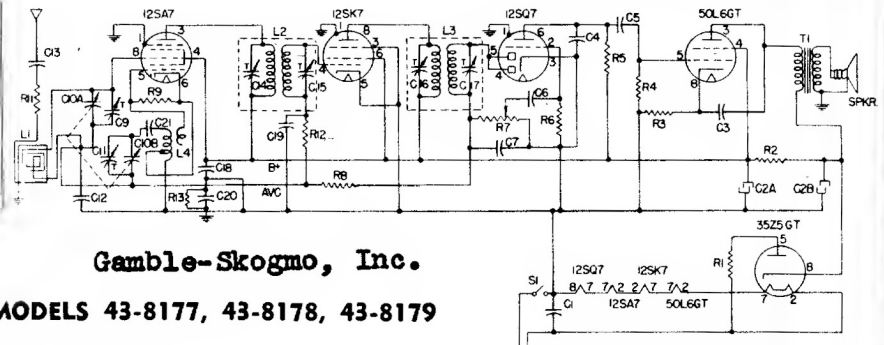
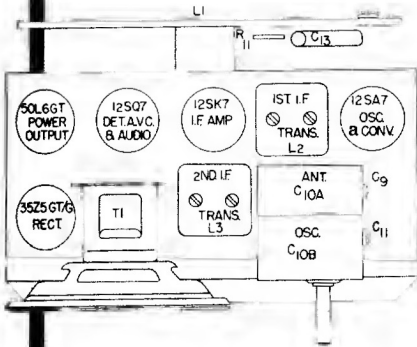


# SCHEMATIC DIAGRAM FOR MODELS 43-8177, 43-8178



**Gamble-Skogmo, Inc.**

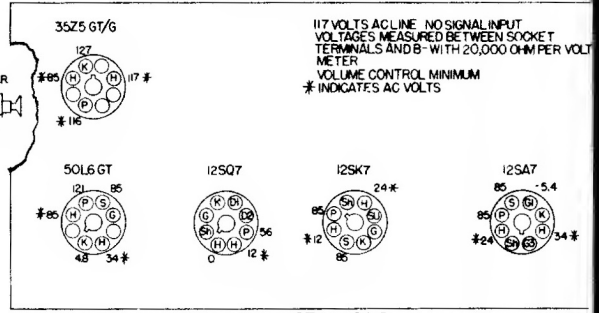
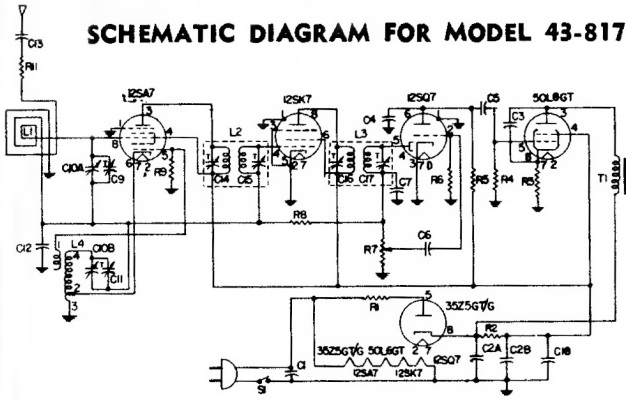
**CORONADO RADIO MODELS 43-8177, 43-8178, 43-8179**



**VOLTAGE DIAGRAM**

FRONT OF CHASSIS

## SCHEMATIC DIAGRAM FOR MODEL 43-8179



117 VOLTS AC LINE. NO SIGNAL INPUT.  
VOLTAGES MEASURED BETWEEN SOCKET  
TERMINALS AND B- WITH 20,000 OHM PER VOLT  
METER.  
VOLUME CONTROL MINIMUM  
\* INDICATES AC VOLTS

BOTTOM VIEW OF CHASSIS

## PARTS DESCRIPTION LIST MODELS 43-8177, 43-8178, 43-8179

CATALOG NO.	SYMBOL	TITLE	VALUE	RATING	TOLERANCE
UCC-045	C1	Paper Capacitor	.05 mf	600WVDC	+40 - 15%
SCE-003	C2A	Electrolytic Capacitor	40 mf	150WVDC	+100 - 10%
SCE-003	C2B	Electrolytic Capacitor	40 mf	150WVDC	+100 - 10%
UCC-041	C3	Paper Capacitor	.02 mf	600WVDC	±20%
UCU-1040	C4	Mica Capacitor	330 mmf	500WVDC	±10%
UCC-040	C5	Paper Capacitor	.01 mf	400WVDC	±20%
UCC-039	C6	Paper Capacitor	.006 mf	600WVDC	+40 - 15%
UCU-1040	C7	Mica Capacitor	330 mmf	500WVDC	±10%
*	C9	Antenna Trimmer			
*	C10A	Variable Condenser ant. section			
*	C10B	Variable Condenser osc. section			
*	C11	Oscillator Trimmer			
UCC-045	C12	Paper Capacitor	.05 mf	400WVDC	±20%
UCC-039	C13	Paper Capacitor	.005 mf	600WVDC	±20%
UCC-045	C18	Paper Capacitor	.05 mf	400WVDC	±20%
URE-007	R1	Carbon Resistor	22 ohm	½ W	±20%
URF-053	R2	Carbon Resistor	1500 ohm	2 W	±20%
URD-029	R3	Carbon Resistor	150 ohm	½ W	±20%
URD-113	R4	Carbon Resistor	470,000 ohm	½ W	±20%
URD-105	R5	Carbon Resistor	220,000 ohm	½ W	±20%
URD-145	R6	Carbon Resistor	10 megohm	½ W	±20%
SRC-004	R7	Volume Control	500,000 ohm		
URD-129	R8	Carbon Resistor	2.2 megohm	½ W	±20%
URD-081	R9	Carbon Resistor	22,000 ohm	½ W	±20%
URD-041	R11	Carbon Resistor	470 ohm	½ W	±20%
*	L1	Antenna Loop			
*	L2	1st IF Transformer	} 455 K.C.		
*	L3	2nd IF Transformer			
*	L4	Oscillator Coil			
SLC-001	T1	Output Transformer			
SRC-004	S1	Power Switch with R7			
*	SPKR	4" PM Speaker			
SJS-002		Socket-Octal base tube			
SMS-003		Speed Nuts—for fastening metal grille in cabinet			

## ADDITIONAL PARTS FOR MODEL 43-8179

UCC-039	C19	Paper Capacitor	.005 mf	600WVDC
UCC-048	C20	Paper Capacitor	.1 mf	400WVDC
UCC-040	C21	Paper Capacitor	.01 mf	400WVDC
URD-113	R12	Carbon Resistor	470,000 ohm	½ W
URD-113	R13	Carbon Resistor	470,000 ohm	½ W