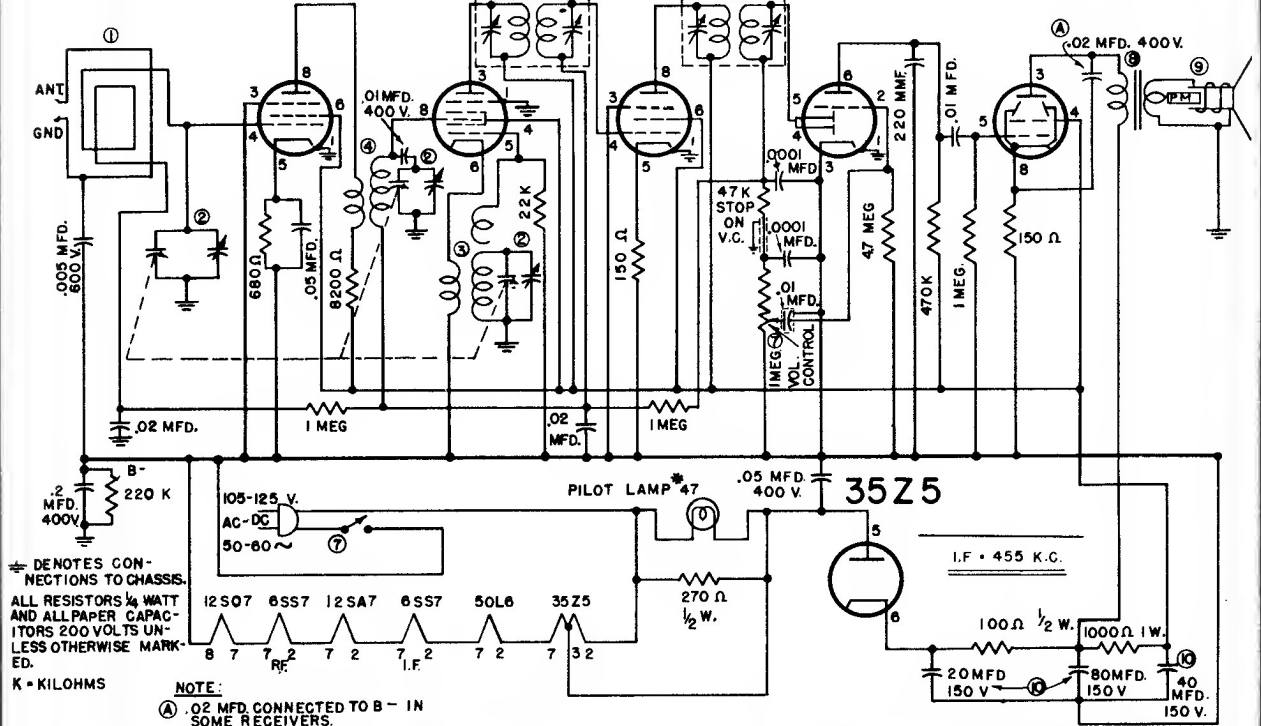


# GAROD RADIO



6SS7 12SA7 6SS7 12SQ7 50L6



⊕ DENOTES CONNECTIONS TO CHASSIS.  
ALL RESISTORS 1/4 WATT AND ALL PAPER CAPACITORS 200 VOLTS UNLESS OTHERWISE MARKED.

K = KILOHMS

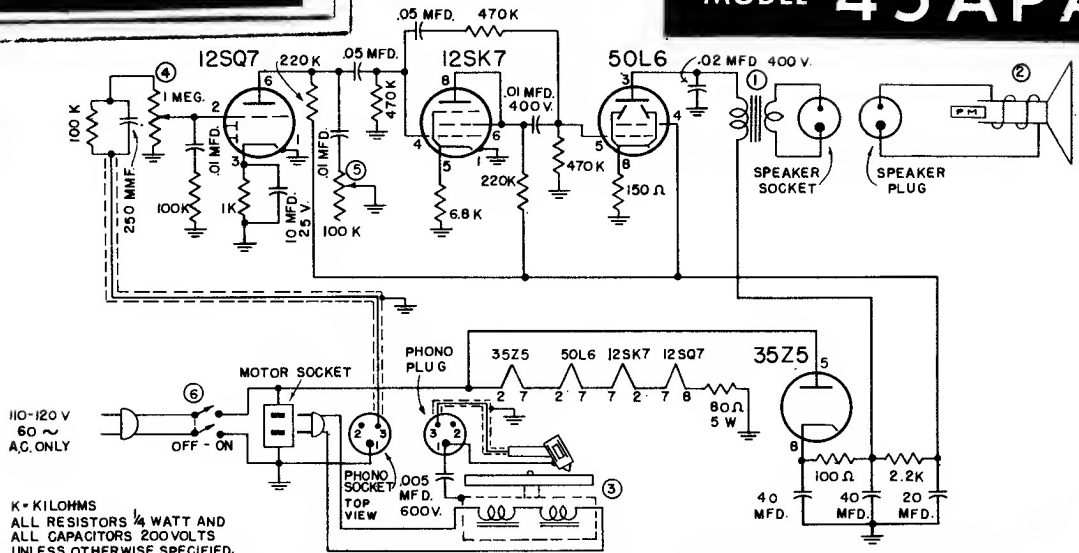
NOTE:

Ⓐ .02 MFD. CONNECTED TO B - 1N SOME RECEIVERS.

- ① 1.421 LOOP ANTENNA ASSEMBLY
- ② 2.201 3GANG VARIABLE CAPACITOR
- ③ 1.402 OSCILLATOR COIL
- ④ 1.420 R.F. INTERSTAGE COIL
- ⑤ 1.259 1 ST. I.F. TRANSFORMER
- ⑥ 1.409 2 ND I.F. TRANSFORMER
- ⑦ 8.200-4 VOLUME CONTROL & SWITCH
- ⑧ 9.200 OUTPUT TRANSFORMER
- ⑨ 30.300 5\"/>

## MODEL 6BU-1A

## MODEL 45APA



K = KILOHMS  
ALL RESISTORS 1/4 WATT AND ALL CAPACITORS 200VOLTS UNLESS OTHERWISE SPECIFIED.

- ① 9.200 OUTPUT TRANSFORMER
- ② 30.307 8\"/>

