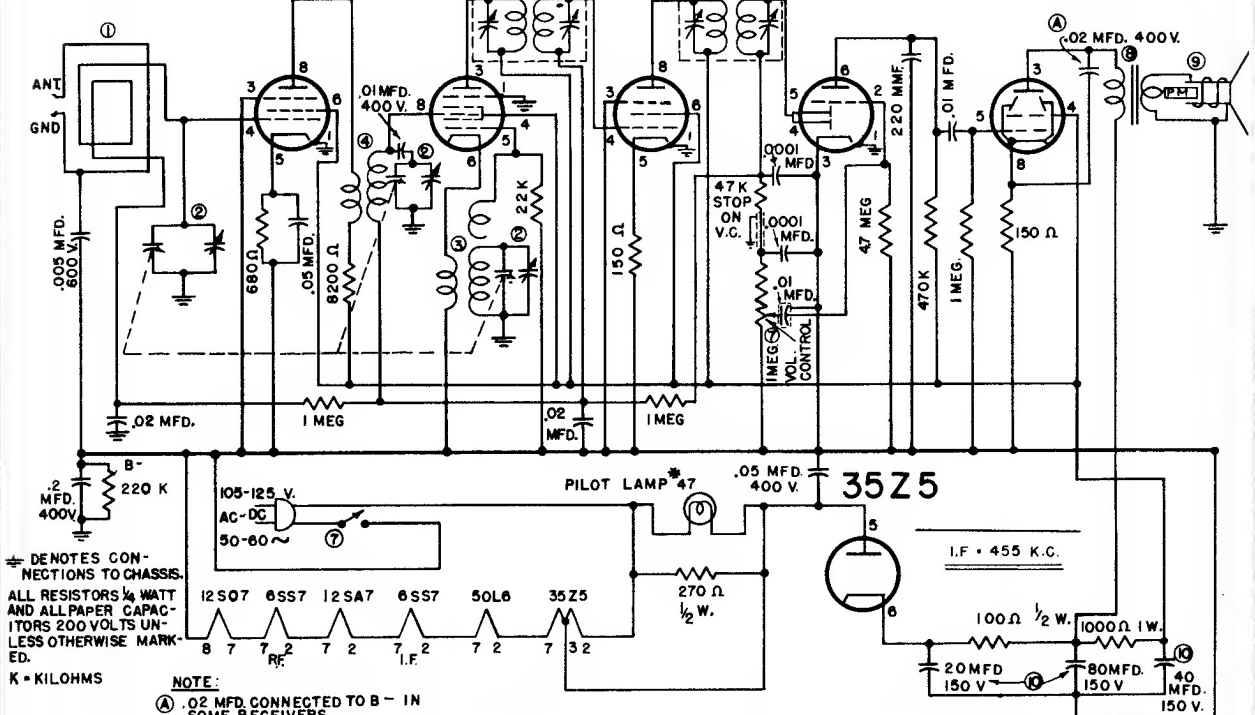


GAROD RADIO



6SS7 12SA7 6SS7 12SQ7 50L6



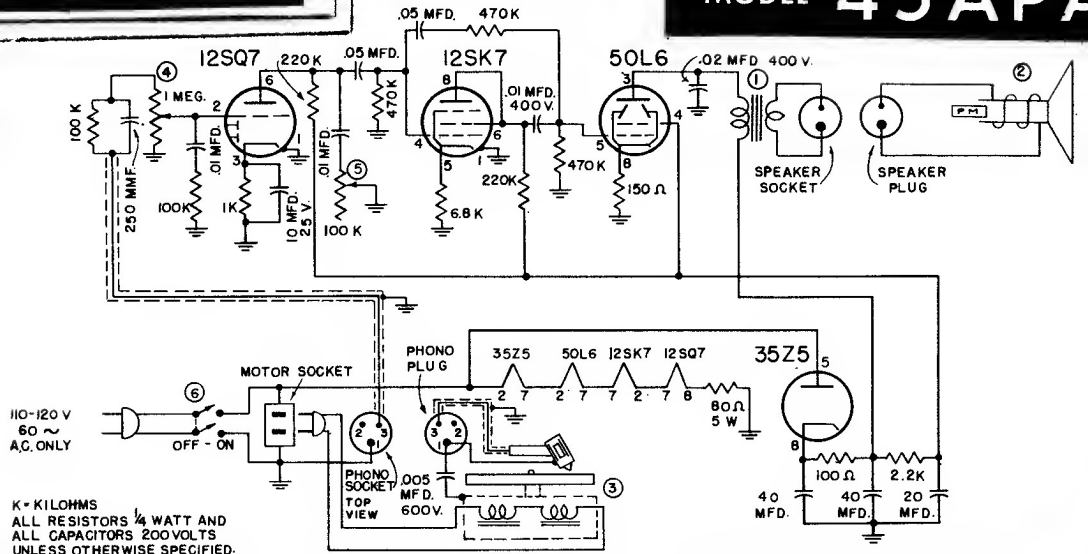
⊕ DENOTES CONNECTIONS TO CHASSIS.
ALL RESISTORS 1/4 WATT AND ALL PAPER CAPACITORS 200 VOLTS UNLESS OTHERWISE MARKED.
K = KILOHMS

NOTE:
Ⓐ .02 MFD CONNECTED TO B- IN SOME RECEIVERS.

- ① 1.421 LOOP ANTENNA ASSEMBLY
- ② 2.201 3GANG VARIABLE CAPACITOR
- ③ 1.402 OSCILLATOR COIL
- ④ 1.420 R.F. INTERSTAGE COIL
- ⑤ 1.259 1 ST. I.F. TRANSFORMER
- ⑥ 1.409 2 ND I.F. TRANSFORMER
- ⑦ 8.200-4 VOLUME CONTROL & SWITCH
- ⑧ 9.200 OUTPUT TRANSFORMER
- ⑨ 30.300 5" P.M. SPEAKER
- ⑩ 5.400-7 ELECTROLYTIC CAP. 80-40-20 MFD.

MODEL 6BU-1A

MODEL 45APA



K = KILOHMS
ALL RESISTORS 1/4 WATT AND ALL CAPACITORS 200VOLTS UNLESS OTHERWISE SPECIFIED.

- ① 9.200 OUTPUT TRANSFORMER
- ② 30.307 8" P.M. SPEAKER
- ③ 36.101 AUTOMATIC RECORD CHANGER
- ④ 1 MEG VOLUME CONTROL
- ⑤ 100K TONE CONTROL
- ⑥ D.P.D.T. "ON-OFF" SWITCH

