

**GENERAL ELECTRIC**

MODELS 102, 102W, 107, 107W, 114, 114W, 115, 115W

**I-F ALIGNMENT**

Connect an output meter across the voice coil. Turn the volume control to maximum. Set test oscillator to 455 KC and keep the oscillator output as low as a readable meter reading will permit. Apply signal to the converter grid through a .05 mfd. capacitor and align progressively the trimmers in the 2nd and 1st. I-F transformer cans.

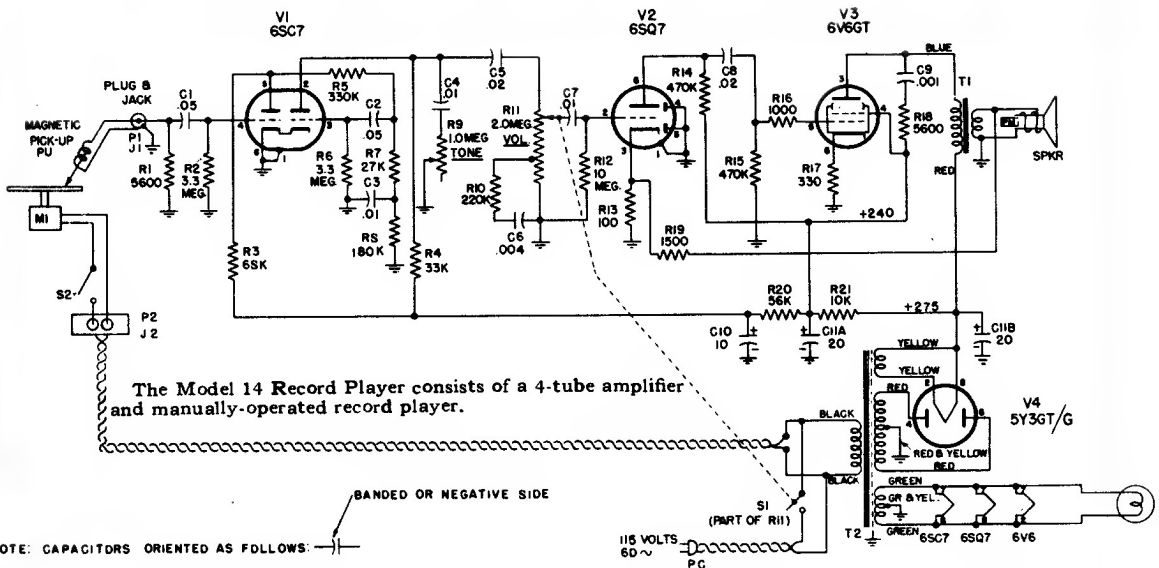
**R-F ALIGNMENT**

Apply the R-F alignment signals through a standard IRE dummy antenna to the primary on the loop. With the gang condenser wide open, align the oscillator trimmer (C3) to 1720 KC. Change the generator signal to 1500 KC, tune the receiver to the signal and peak the antenna trimmer (C1) for maximum output.

**GENERAL ELECTRIC**

**RECORD PLAYER**

**MODEL 14**

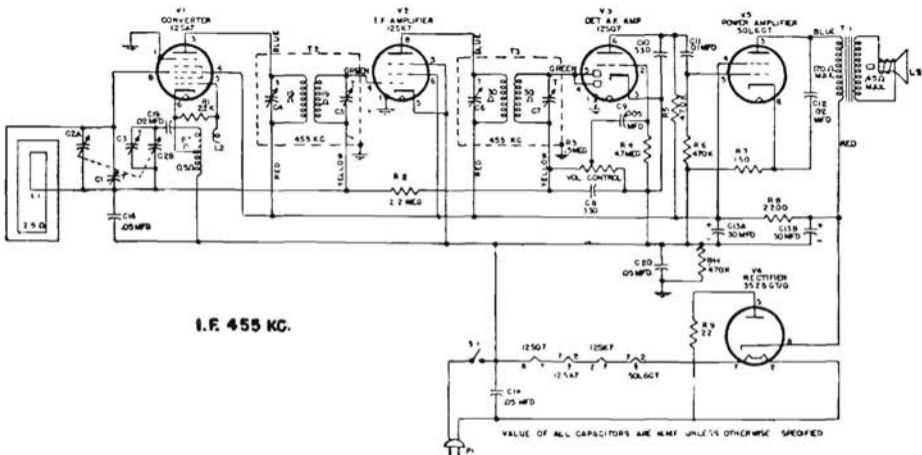


The Model 14 Record Player consists of a 4-tube amplifier and manually-operated record player.

NOTE: CAPACITORS ORIENTED AS FOLLOWS:

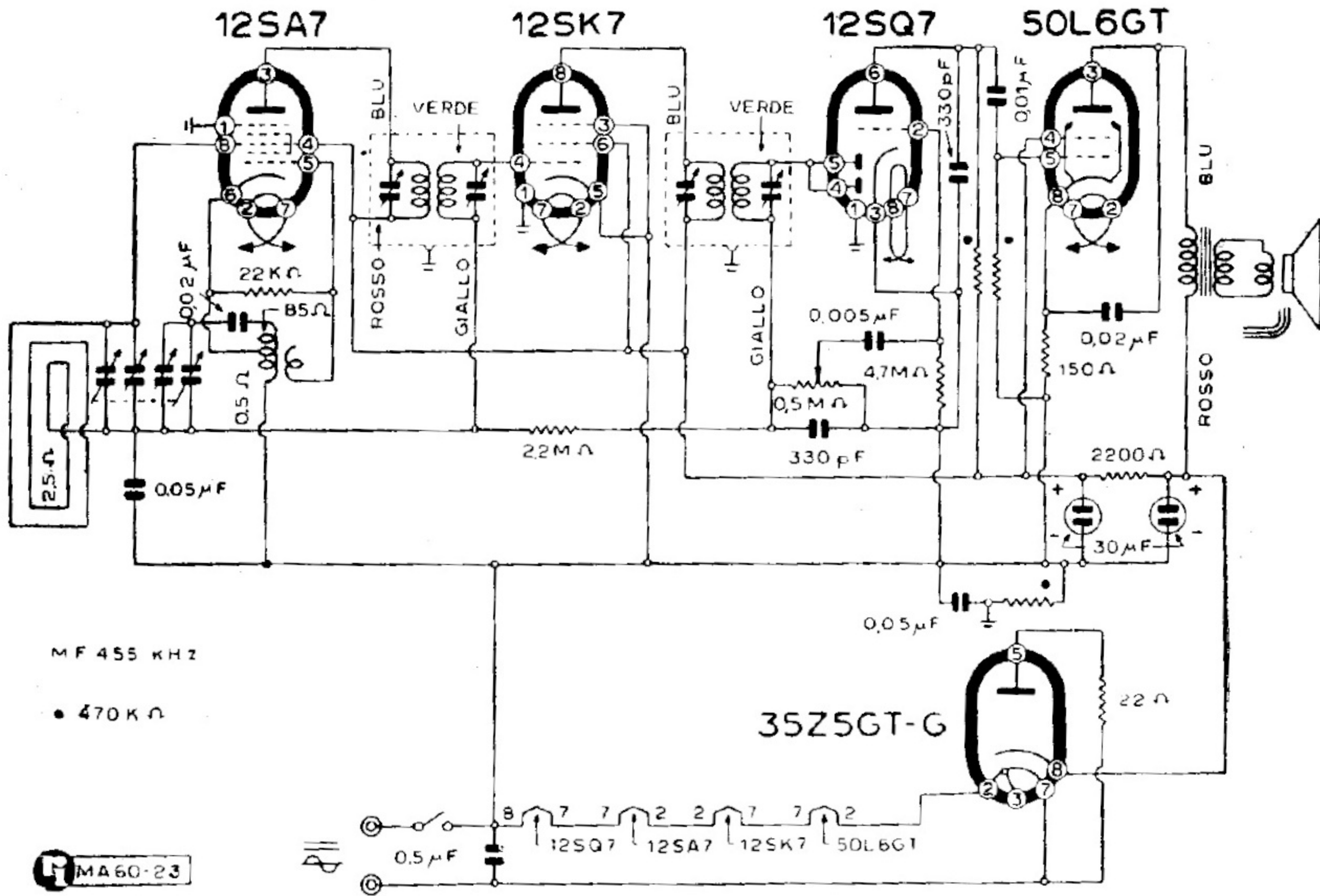
BANDED OR NEGATIVE SIDE

115 VOLTS 60~ PC



## GENERAL ELECTRIC MODD. 102-115

Piccola supereterodina CA/CC; con "floating ground", telaio di ricezione interno.



GENERAL ELECTRIC - MODD. « 102 » « 102 W » « 107 » « 107 W »  
« 114 » « 114 W » « 115 » « 115 W »