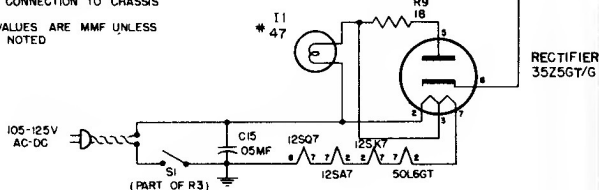


**GENERAL ELECTRIC**

**RADIO  
SERVICE DATA**

FOR  
**MODELS 110 & 111**  
**ELECTRICAL CIRCUIT ALIGNMENT**

⊥ INDICATES CONNECTION TO CHASSIS  
CAPACITY VALUES ARE MMF UNLESS OTHERWISE NOTED



**ALIGNMENT FREQUENCIES:**

R-F ..... 1500 kilocycles  
I-F ..... 455 kilocycles

**EQUIPMENT REQUIRED:**

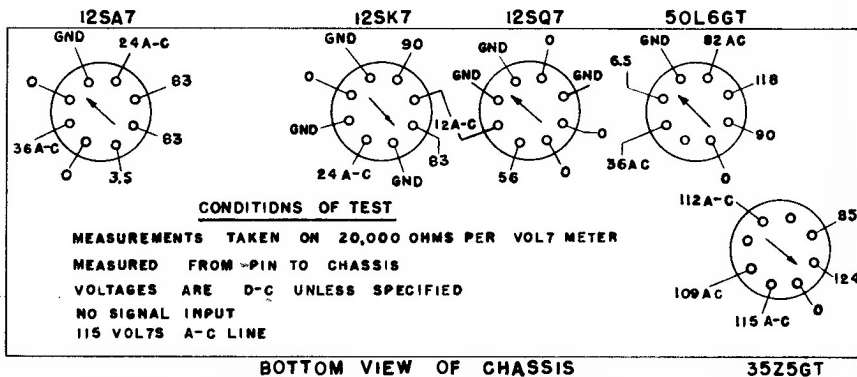
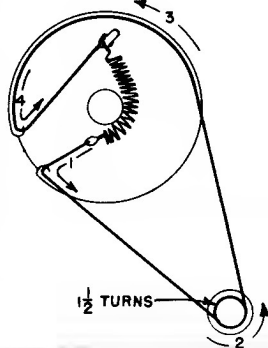
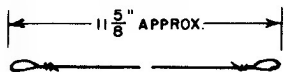
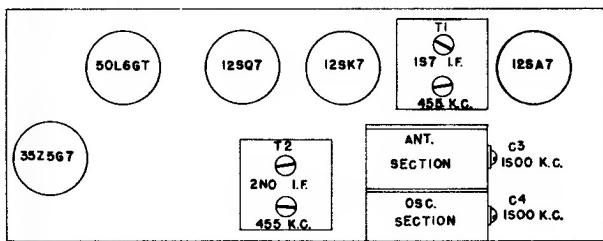
1. Line isolation transformer.
2. A-c output meter, 1 1/2 volts full scale.
3. Test oscillator with tone modulation.
4. 0.05 mf. paper capacitor.
5. 50 mmf. mica capacitor.
6. Insulated screwdriver.

**PROCEDURE—GENERAL.** 1. Remove chassis from cabinet. Turn pointer as far counterclockwise as possible. The pointer should set horizontal. If it doesn't, remove the dial window and slip the pointer on its shaft until it is horizontal.

2. Connect the line cord to the line through an isolation 1:1 ratio transformer.
3. Connect output meter across loudspeaker voice coil terminals.
4. Keep radio volume control at maximum and attenuate the test oscillator signal output so that the output meter reading never exceeds 1 volt.
5. For R-F alignment, the Beam-a-scope assembly should be connected and dressed in exactly the same location it would occupy if installed in the cabinet.
6. Connect the capacitor as listed in column 2, between the output "high side" of the test oscillator and the point of input specified.

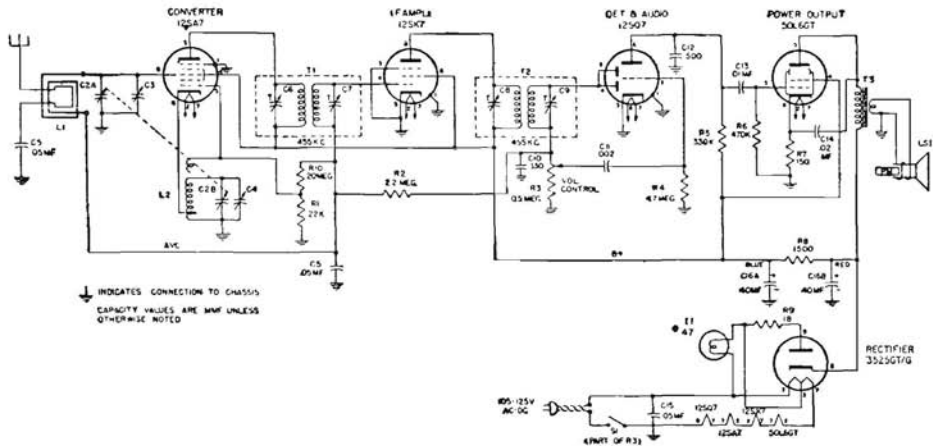
**ALIGNMENT CHART**

Step	Connect Test Oscillator to	Test Oscillator Setting	Pointer Setting on Radio	Adjustment for Maximum Output
1	12SQ7 grid in series with 0.05 mf. cap.	455 kc	1500 kc	2nd I-F trans. trimmers
2	12SA7 grid in series with 0.05 mf. cap.	455 kc	1500 kc	1st and 2nd I-F trans. trimmers
3	Ant. post in series with 50 mmf.	1500 kc	1500 kc	C4 (osc.)
4	Ant. post in series with 50 mmf.	1500 kc	1500 kc	C3 (R-F)



**BOTTOM VIEW OF CHASSIS**

**35Z5GT**



## GENERAL ELECTRIC MOD. 110

Piccola supereterodina CA/CC, valvole GT, telaio e antenna.