

ALIGNMENT CHART

Step	Connect Test-Oscillator To:	Test Oscillator Setting	Dial Setting	Adjust Trimmers For Max. Output
1	12SK7 grid (Pin 4) In series with .05 mf.	455 kc	—	C6 and C7
2	12BE6 grid (Pin 7) In series with .05 mf.	455 kc	—	C4 and C5 Readjust C6 and C7
3	Blue wire on loop in series with 200 mmf. and 470 ohms.	1500 kc	1500 kc	C12 (Osc.); C2 (Ant.)*

* Rock gang condenser when making alignment.

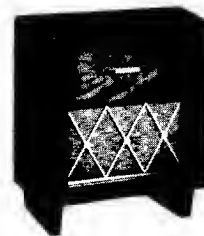
The oscillator trimmer is accessible by tilting the chassis slightly in the cabinet. The antenna trimmer is on the loop and is accessible from the rear of the cabinet. The locations of these trimmers are shown in Figure 3.

The output meter should be connected across the loudspeaker voice coil terminals. The low side of the test oscillator should be connected to B minus; the high side should be connected as indicated in the Alignment Chart.

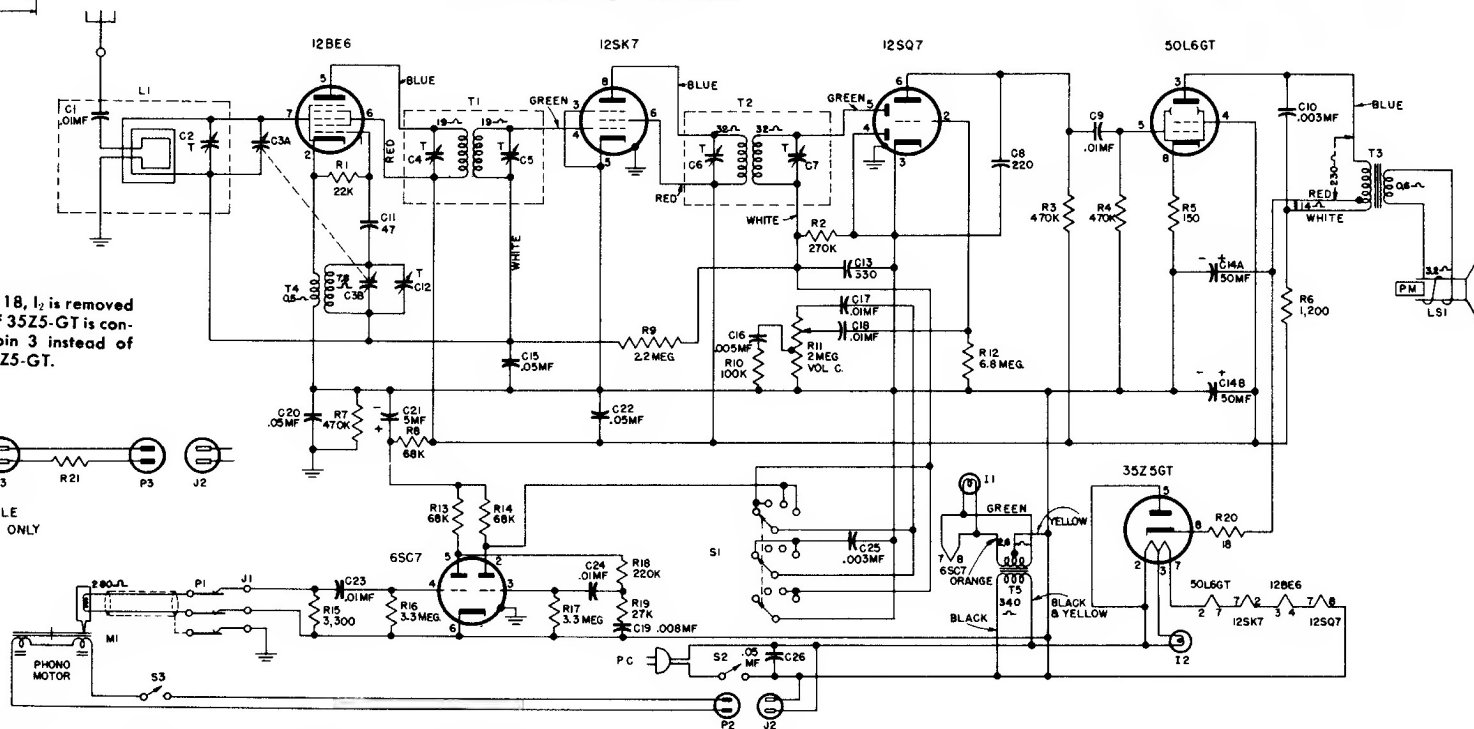
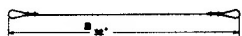
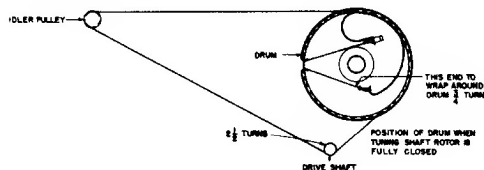
GENERAL ELECTRIC

RADIO SERVICE DATA

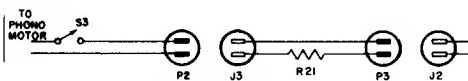
FOR MODELS 118, 119W and 119M



119M and 119W



Note: On Model 118, I₂ is removed and pin 5 of 35Z5-GT is connected to pin 3 instead of pin 2 of 35Z5-GT.



FOR 50 CYCLE CONNECTIONS ONLY