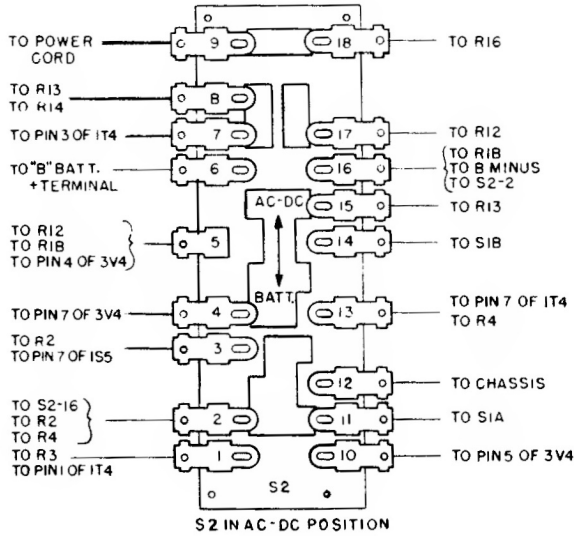


GENERAL ELECTRIC

MODEL 145

ALIGNMENT CHART



Switch Connections

Step	Connect Test Oscillator To:	Test Oscillator Setting	Dial Setting	Adjust for Maximum Output
1	1T4 grid (Pin 6) in series with .05 mfd. cap.	455 KC	550 KC	2nd i-f transformer (T2) primary and secondary cores.
2	1R5 grid (Pin 6) in series with .05 mfd. cap.	455 KC	550 KC	1st i-f transformer (T1) primary and secondary cores.
3	Inductively coupled (see Note 4)	1620 KC	Gang condenser completely open.	C2B for maximum.
4	Inductively coupled (see Note 4)	1500 KC	For max. signal. Set dial pointer at 1500 KC mark on dial scale.	C1B for maximum.

