

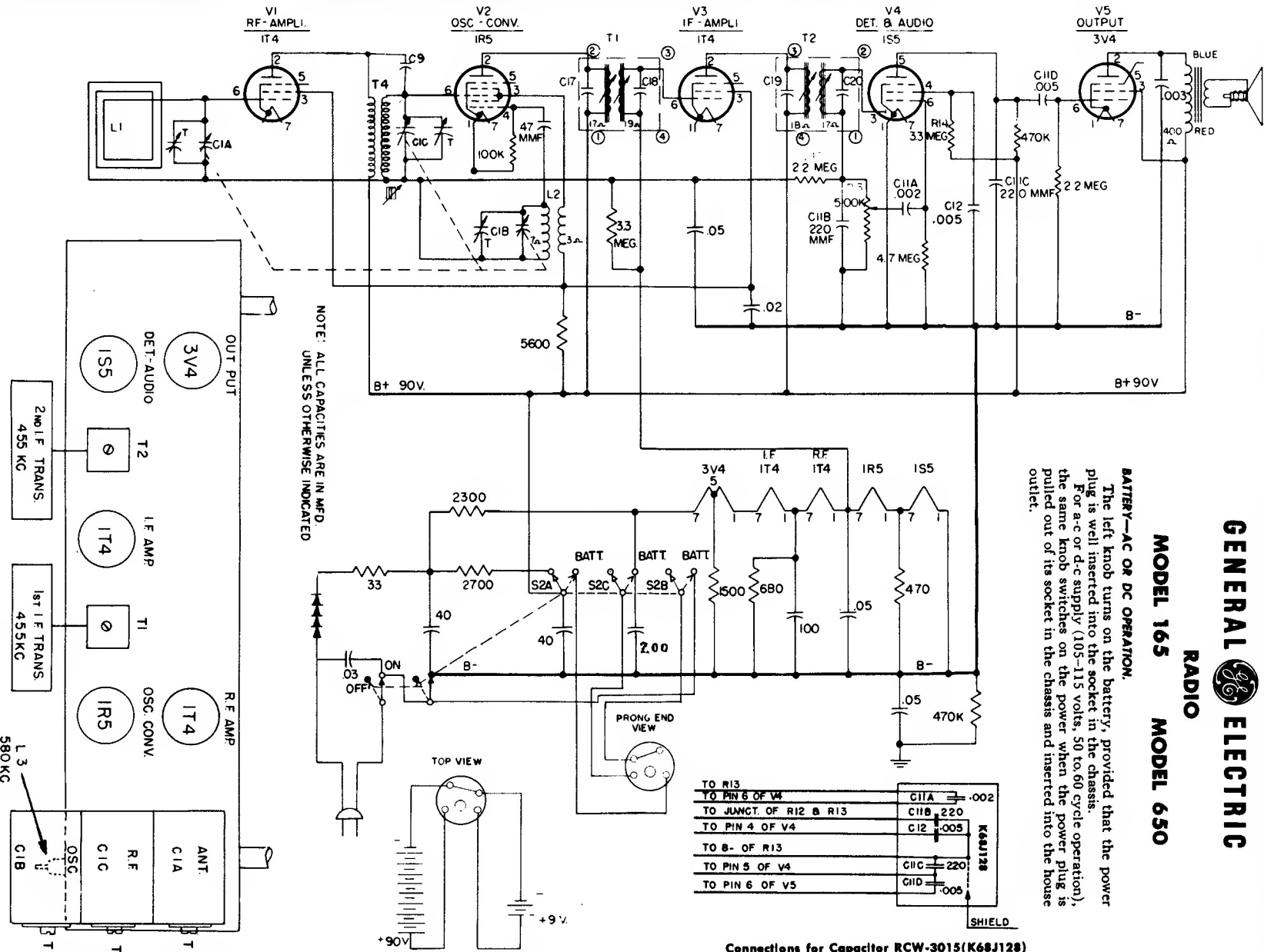
GENERAL ELECTRIC

RADIO

MODEL 165 MODEL 650

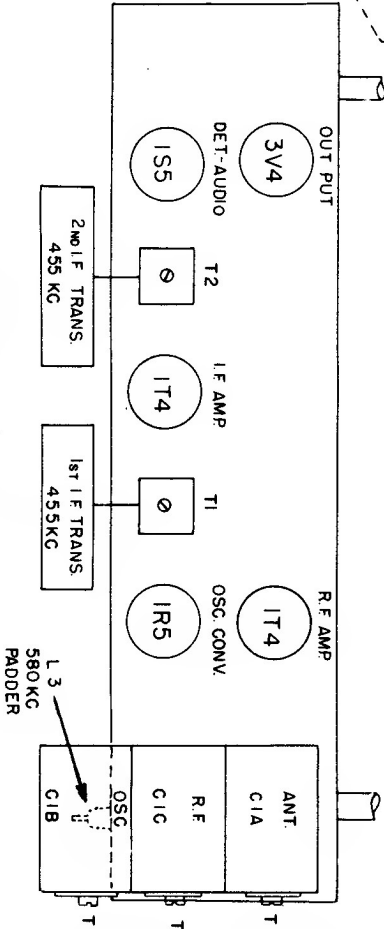
BATTERY—AC OR DC OPERATION.

The left knob turns on the battery, provided that the power plug is well inserted into the socket in the chassis.
For a-c or d-c supply (105-115 volts, 50 to 60 cycle operation), the same knob switches on the power when the power plug is pulled out of its socket in the chassis and inserted into the house outlet.



Connections for Capacitor RCW-3015(K68J128)

Tube and Trimmer Location (Model 165)



L.3
560 KC
PADDER