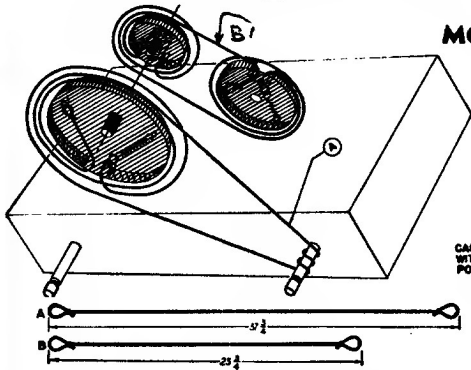
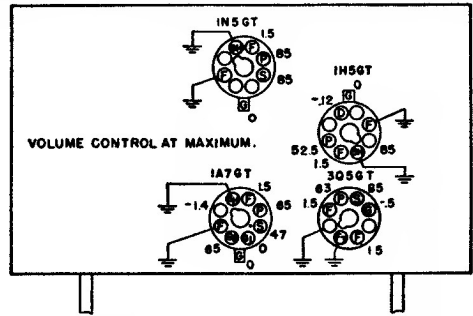


# GENERAL ELECTRIC

## MODEL 180



CAPACITOR GANG CLOSED WITH DIAL DRUMS IN POSITION SHOWN.



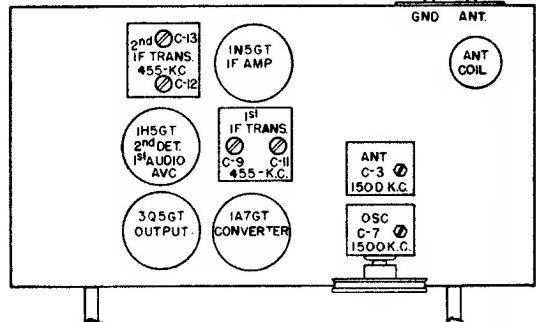
BOTTOM VIEW OF CHASSIS

MEASUREMENTS TAKEN ON 20,000 OHMS PER VOLT METER, MEASURED FROM PIN TO CHASSIS.  
1.5 V "A" - 90 V "B" BATTERY PACK. NO SIGNAL INPUT.

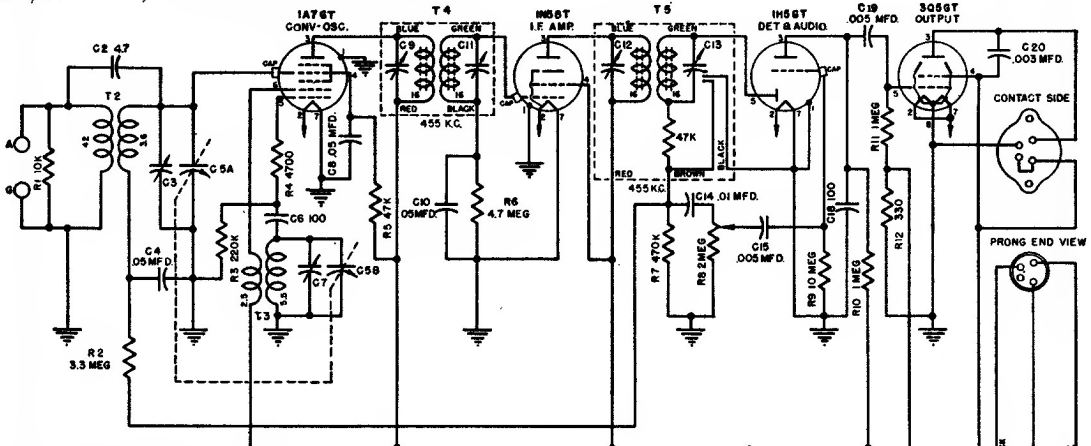
### ALIGNMENT CHART

Step	Connect Test Oscillator To	Test Oscillator Setting	Pointer Setting On Radio	Adjust For Max. Output
1	1N5GT IF grid in series with .05 mfd.	455 KC	550 KC	1st IF trans. trimmers
2	1A7GT Conv. grid in series with .05 mfd.	455 KC	550 KC	2nd IF trans. trimmers
3	To Ant. Post through 200 mmf. dummy and to Grd. Post.	1500 KC	1500 KC	C7* (osc.) and C3 (R-F)

\*Rock gang condenser when making alignment.



PART NO.	SYMBOL	DESCRIPTION
UCC-011	C4, 8, 10	CAPACITOR—.05 mfd., 200 v., paper
UCC-028	C16	CAPACITOR—.05 mfd., 400 v., paper
UCC-037	C20	CAPACITOR—.003 mfd., 600 v., paper
UCC-039	C15, 19	CAPACITOR—.005 mfd., 600 v., paper
UCC-040	C14	CAPACITOR—.01 mfd., 600 v., paper
UCU-1028	C6, 18	CAPACITOR—100 mmf., mica
UOF-629	SP	SPEAKER—6 1/2 in. permanent magnet
UOX-001		CONE—Replacement speaker cone
URD-037	R12	RESISTOR—330 ohm, 1/2 w., carbon
URD-065	R4	RESISTOR—4700 ohm, 1/2 w., carbon
URD-073	R1	RESISTOR—10,000 ohm, 1/2 w., carbon
URD-089	R5	RESISTOR—47,000 ohm, 1/2 w., carbon
URD-105	R3	RESISTOR—220,000 ohm, 1/2 w., carbon
URD-113	R7	RESISTOR—470,000 ohm, 1/2 w., carbon
URD-121	R10, 11	RESISTOR—1 meg., 1/2 w., carbon
URD-133	R2	RESISTOR—3.3 meg., 1/2 w., carbon
URD-137	R6	RESISTOR—4.7 meg., 1/2 w., carbon
URD-145	R9	RESISTOR—10 meg., 1/2 w., carbon
RCE-5001	C17	CAPACITOR—8 mfd., 150 v., electrolytic
RCT-5001	C5A, 5B	CAPACITOR—Tuning condenser
RCU-5002	C2	CAPACITOR—4.7 mmf., mica
RLA-5001	T2	COIL—Antenna coil
RLC-5001	T3	COIL—Oscillator coil
RRC-5001	R8, S3	VOLUME CONTROL—2 meg. vol. control and switch
RTL-5001	T5	TRANSFORMER—2nd i-f transformer
RTL-5002	T4	TRANSFORMER—1st i-f transformer



CAPACITY VALUES IN MMF UNLESS SPECIFIED  
RESISTANCE VALUES IN OHMS.  
\*K=1000, i.e., 22K=22,000

