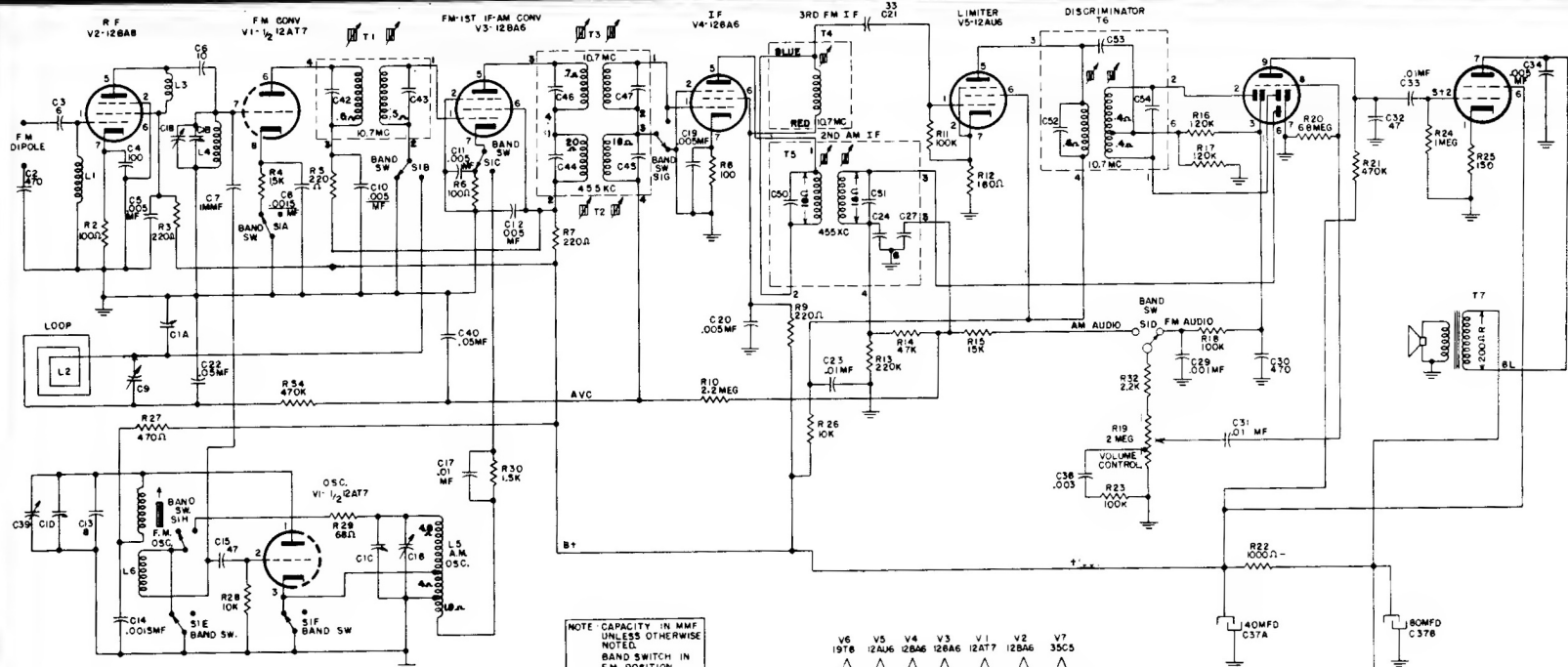
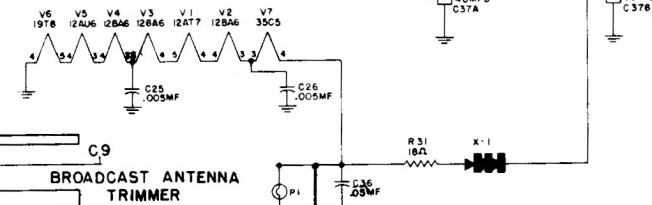


# GENERAL ELECTRIC

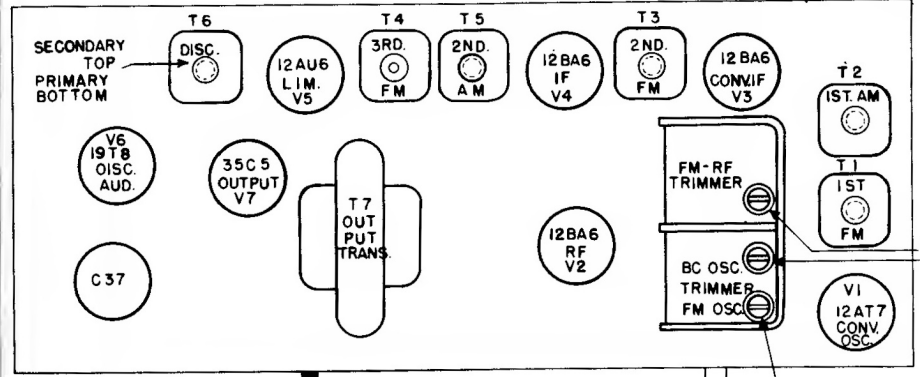
MODEL 408



NOTE CAPACITY IN MMF UNLESS OTHERWISE NOTED. BAND SWITCH IN FM POSITION.



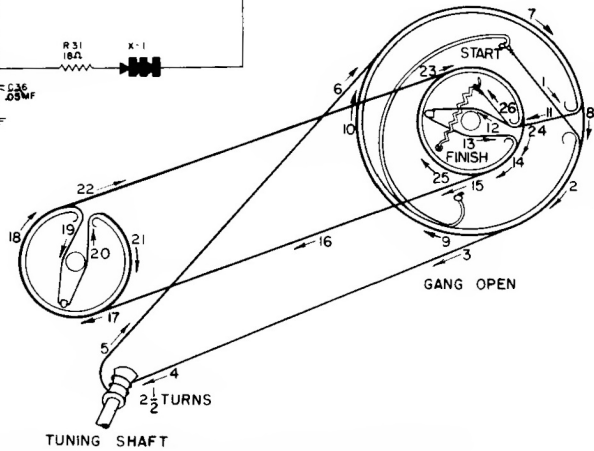
LOOP BACK



TOP VIEW OF CHASSIS

RECT. Tube and Trimmer Location

L6 FM OSC. PAODER



TUNING SHAFT

47 1/2"

CORD LENGTH