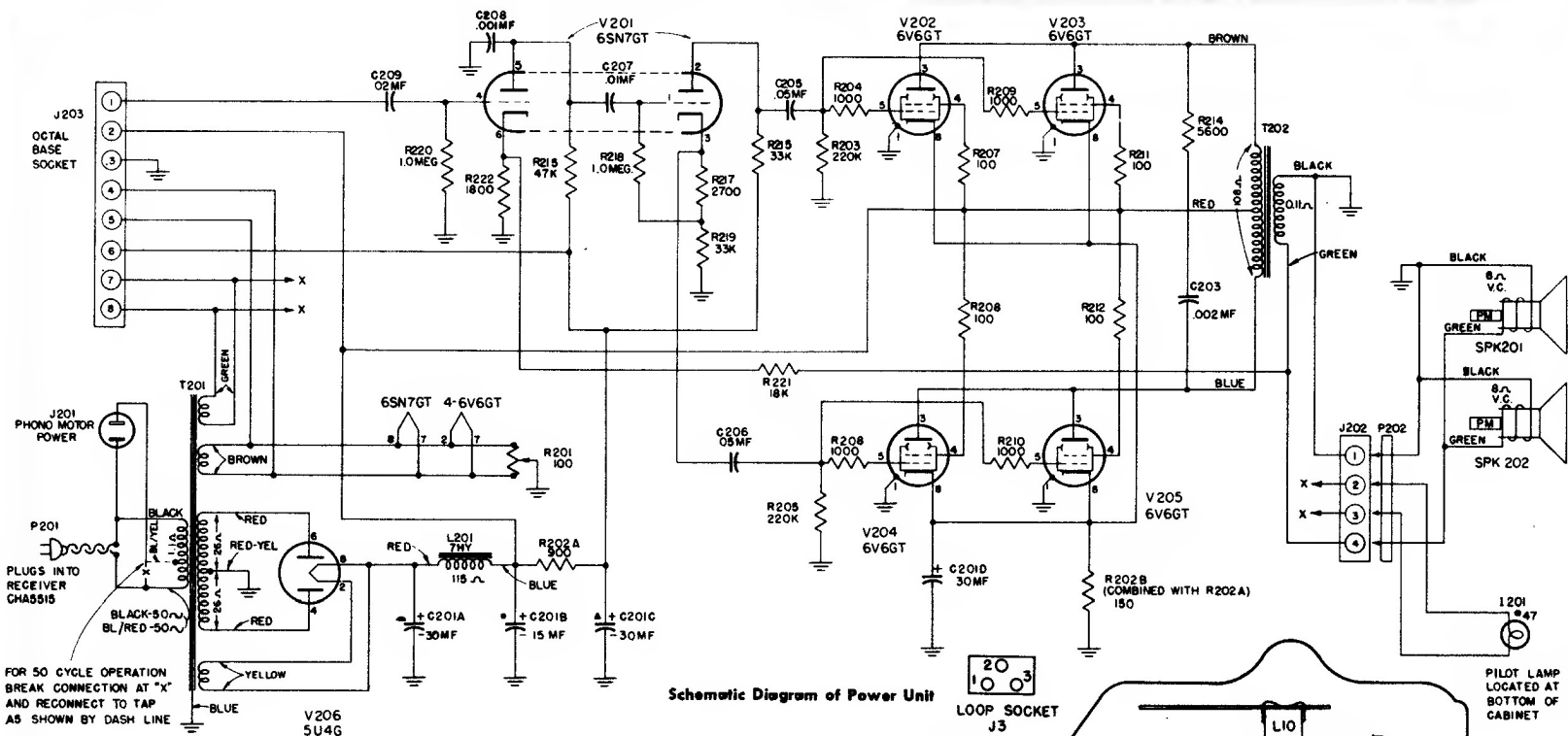


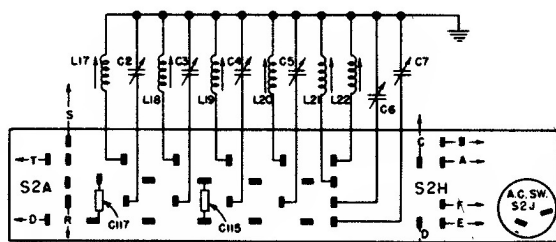
J203
OCTAL
BASE
SOCKET



Schematic Diagram of Power Unit

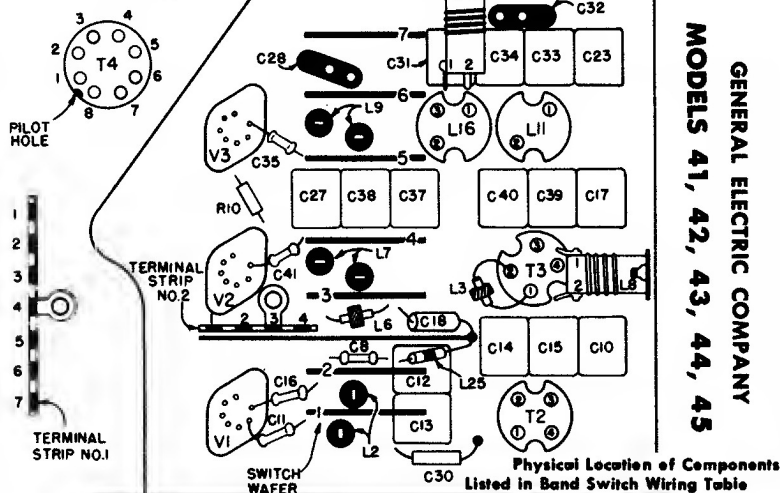
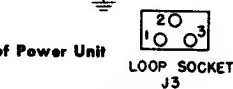
FOR 50 CYCLE OPERATION
BREAK CONNECTION AT "X"
AND RECONNECT TO TAP
AS SHOWN BY DASH LINE

PILOT LAMP
LOCATED AT
BOTTOM OF
CABINET



LETTERS ON TERMINALS REFER
TO SCHEMATIC DIAGRAM

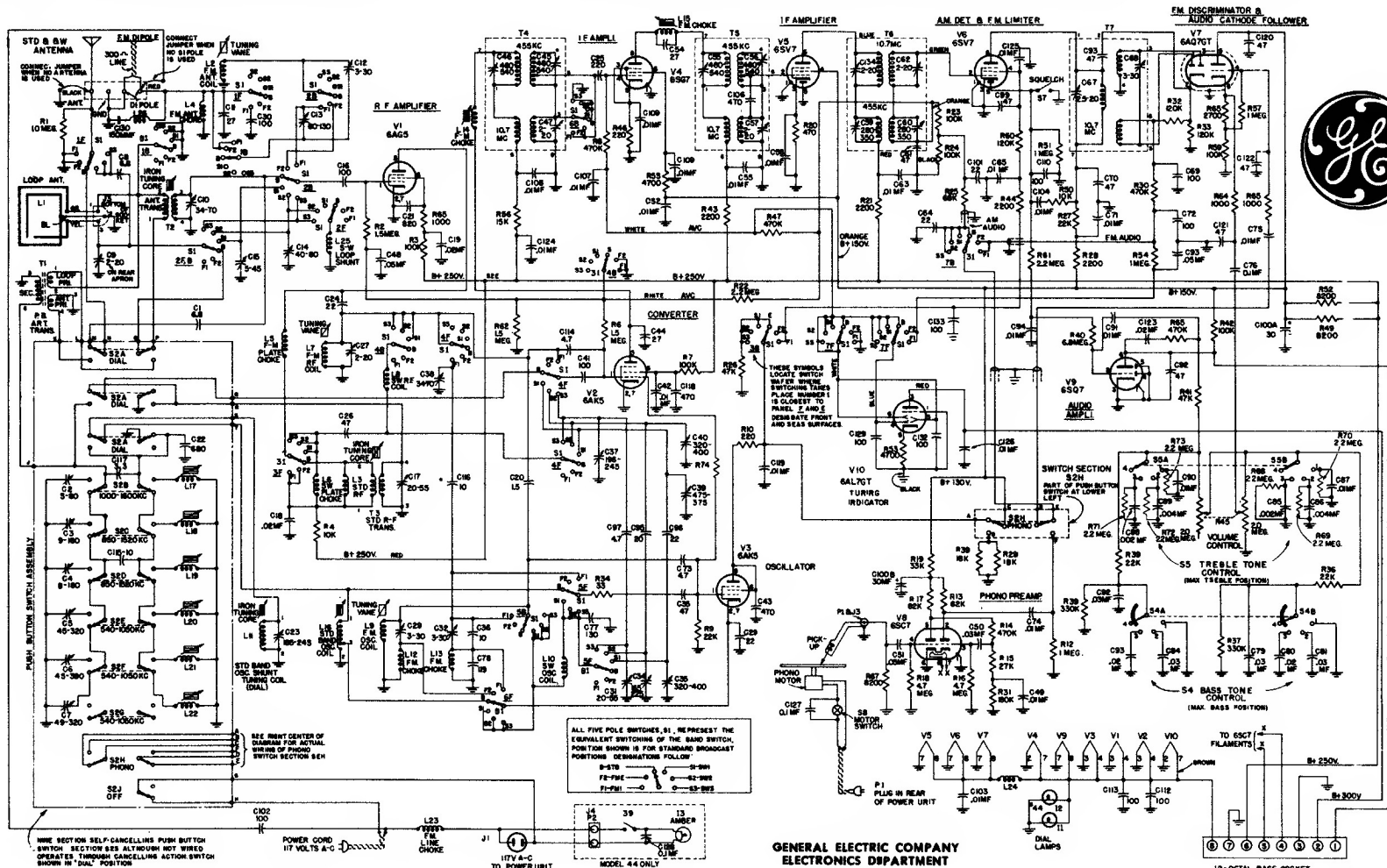
Wiring of Push-button
Switch



MODELS 41, 42, 43, 44, 45

GENERAL ELECTRIC COMPANY

Musphonic
by GENERAL ELECTRIC



A.M. I.F. = 455 KC.
 F.M. I.F. = 10.7 MC.

GENERAL ELECTRIC COMPANY
 ELECTRONICS DEPARTMENT
 BRIDGEPORT, CONN., U.S.A.

Schematic Diagram, Monophonic Model 41 through 45