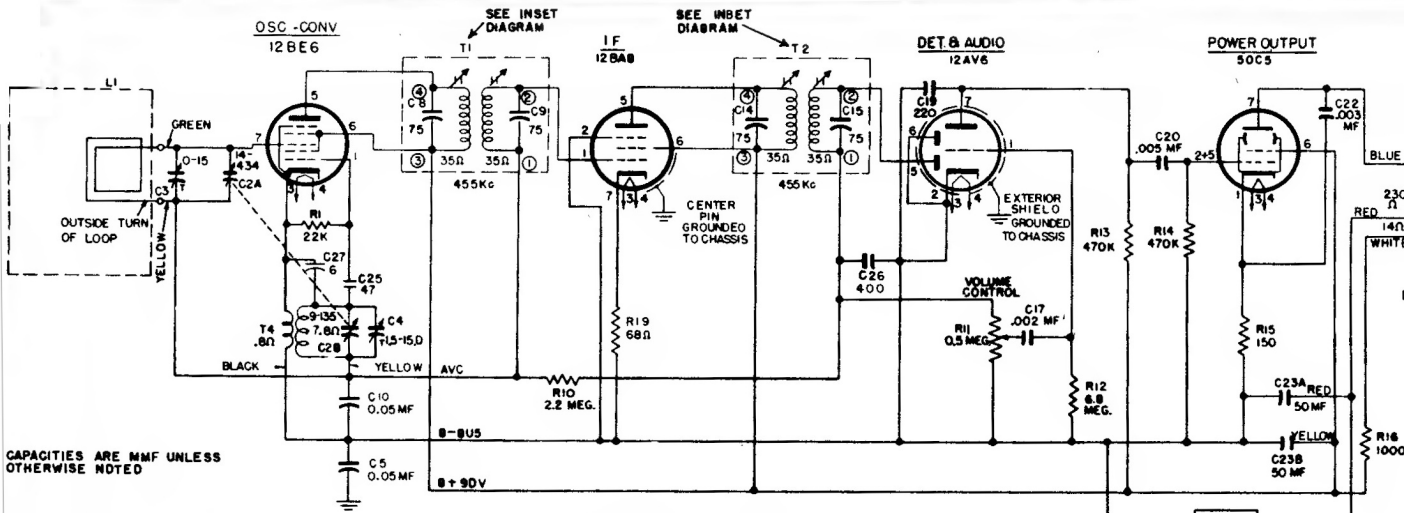
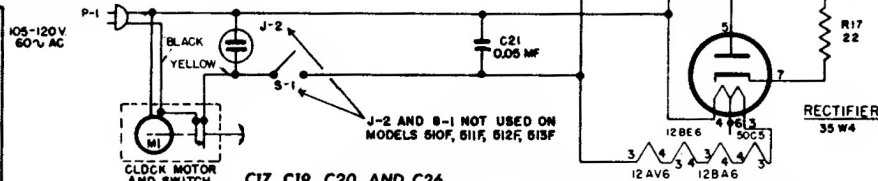
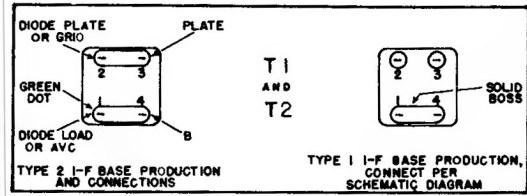


MODELS 510F, 511F, 512F, 513F, 515F, 516F, 517F, 518F, 521F, AND 522F

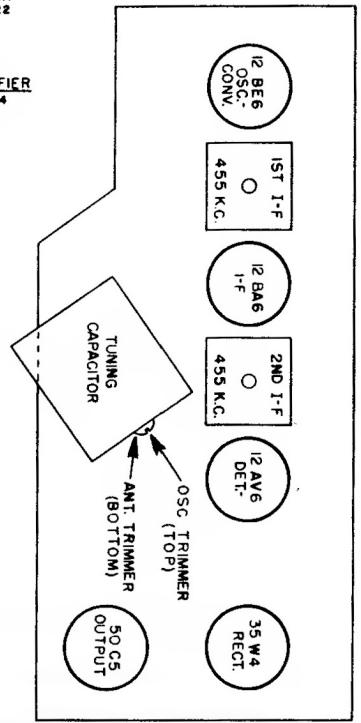
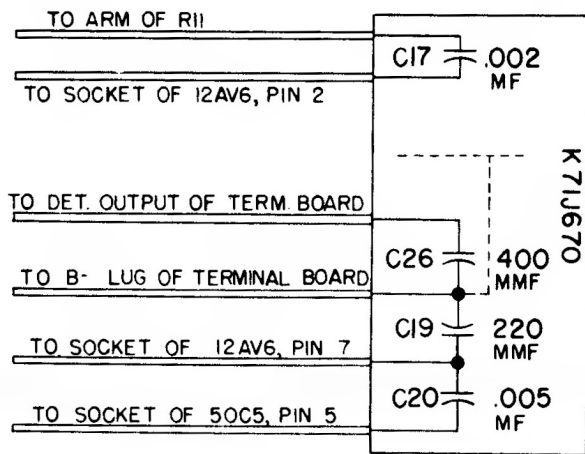
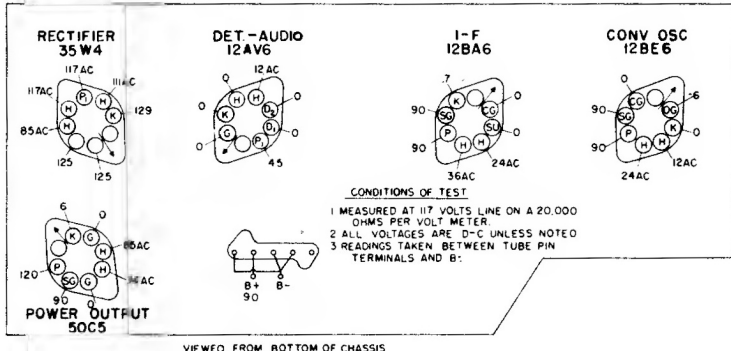


CAPACITIES ARE MMF UNLESS OTHERWISE NOTED



C17, C19, C20, AND C26

The lead identification for the four-section ceramic capacitor RCW-3048 (K71J670) can be observed from the illustration of Figure 2.



General Electric models as listed in the upper left hand corner, but without the suffix "F", use an identical circuit but employ 12SA7 instead of 12BE6, and 12SQ7 for 12AV6, and differ in physical assembly.