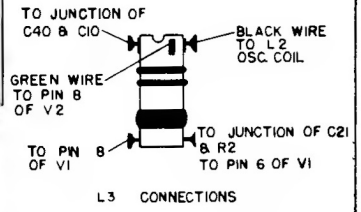
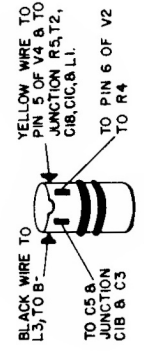
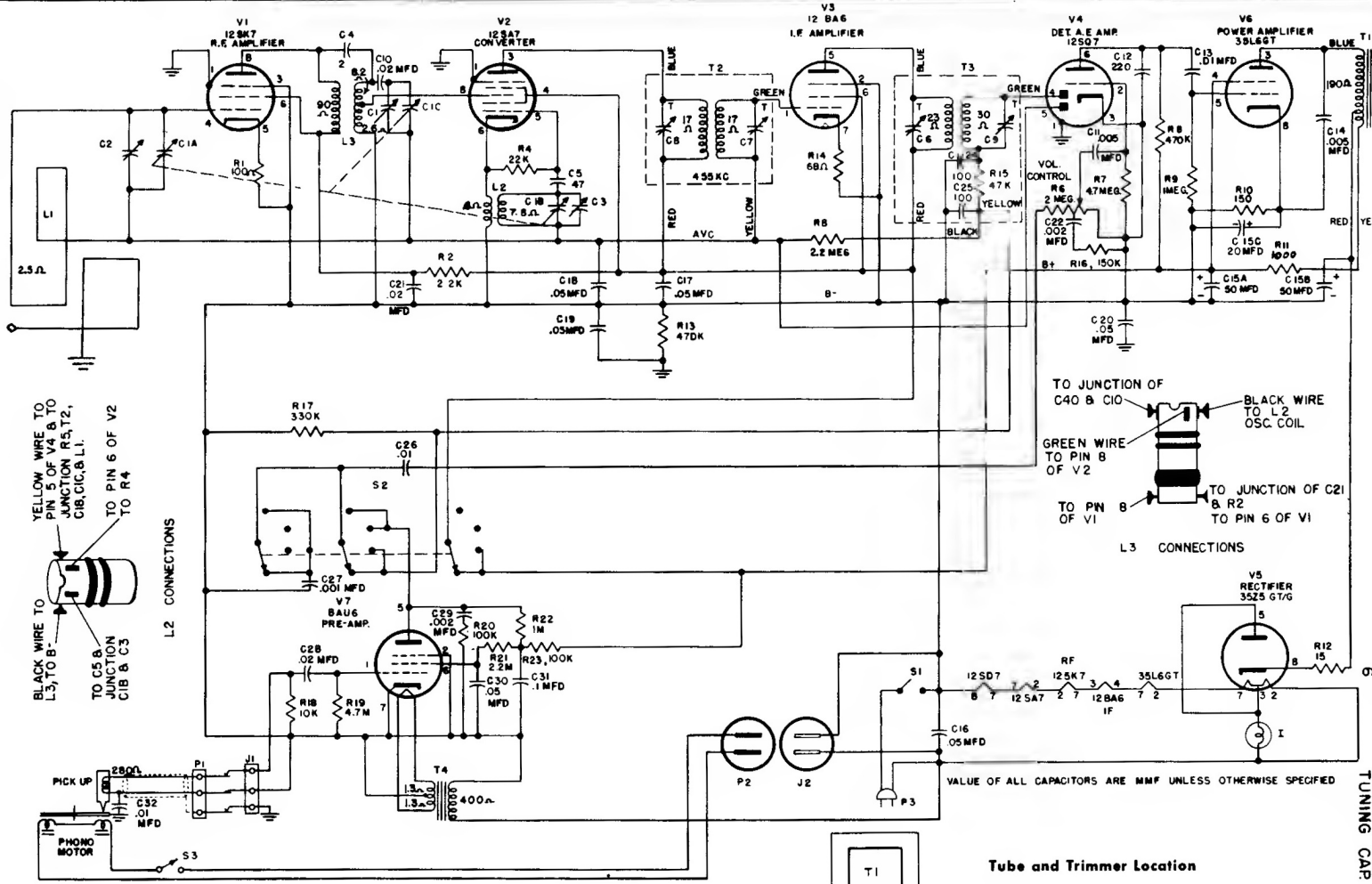


# GENERAL ELECTRIC

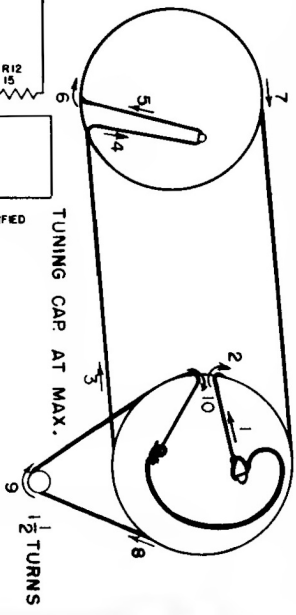
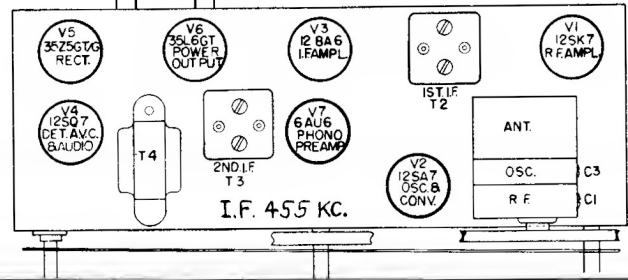
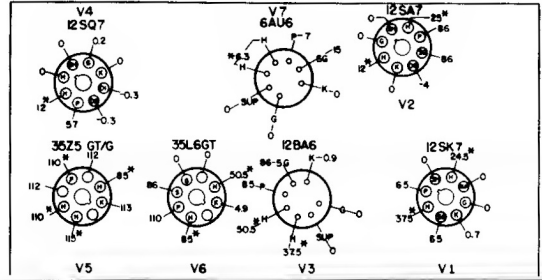
## RADIO SERVICE DATA FOR MODEL 740



L2 CONNECTIONS

L3 CONNECTIONS

117 VOLTS AC LINE VOLTAGE  
NO SIGNAL INPUT  
MEASURE BETWEEN SOCKET TERMINALS B & B-  
USE 20,000 OHM PER VOLT METER  
SET VOLUME CONTROL TO MINIMUM  
\* INDICATES AC FLAMENT VOLTAGES  
SWITCH S2 IN RADIO POSITION



Schematic Change. On later production receivers, the pilot lamp is connected across the secondary of T4 — instead of pins 2-3 of the Type 3525 tube (V5). Pin 5 of this tube should be connected to pin 2 instead of pin 3.